

TÜRENWERKE



STEEL-ALUMINIUM
DOORS

AC68

AC68

APPLICATION

Excellent thermal performance and modern design are the hallmarks of this series. It features the possibility of combining with sidelights and the option to include an elegant pull handle.

The doors are available in eight models, including the Blackline version, and in six color variants.

01

ANTHRACITE

02

WHITE

03

GOLDEN OAK

04

WINCHESTER

05

WALNUT

06

TURNER OAK

ANTHRACITE



WHITE



GOLDEN OAK



WINCHESTER



WALNUT



TURNER OAK



INOX MODELS

STEEL-ALUMINIUM DOORS



M00



M01



M02



M04



M05



M08



M11



M13



M14



M42



M43



M44



M45



M46



M47



C01



C02



C03



C04



C05



C09



C10



C11



C12



C13



C14



C15



GLAS04



GLAS05



GLAS14

BLACKLINE

STEEL-ALUMINIUM DOORS



M20



M21



M22



M24



M25



M28



M31



M33



M34



M62



M63



M64



M65



M66



M67



C21



C22



C23



C24



C25



C29



C30



C31



C32



C13



C34



C15



GLAS24



GLAS25



GLAS34

AC68

GLAZING

Glazing available in the following models: 01, 04, 05, 08, 09, 11, 13, 14, 21, 24, 25, 28, 29, 31, 33, 34, 42, 43, 45, 46, 47, 62, 63, 65, 66, 67, and all C/GLAS models.

Triple-pane glass unit: Equipped with a warm spacer bar, ensuring excellent thermal insulation.

Tempered glass (ESG): Enhanced resistance to mechanical damage and safe breakage.

Available glazing colors: CLEAR, SATIN, GRAPHITE GRAY, REFLEX GRAY.



The actual appearance and effect of the glazing depend on the color scheme, light intensity, and surrounding environment.



CLEAR



SATIN



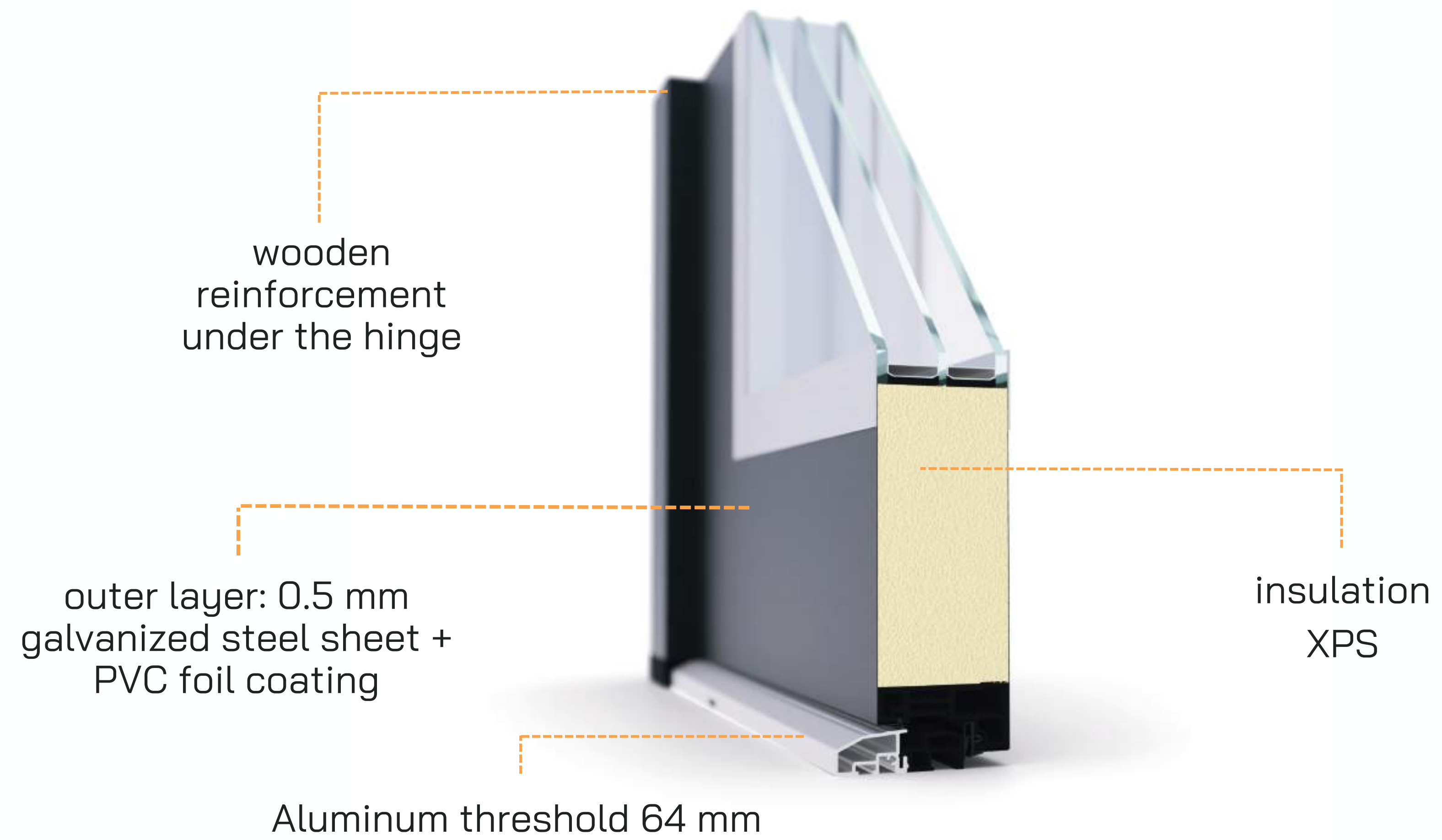
GRAPHITE GRAY



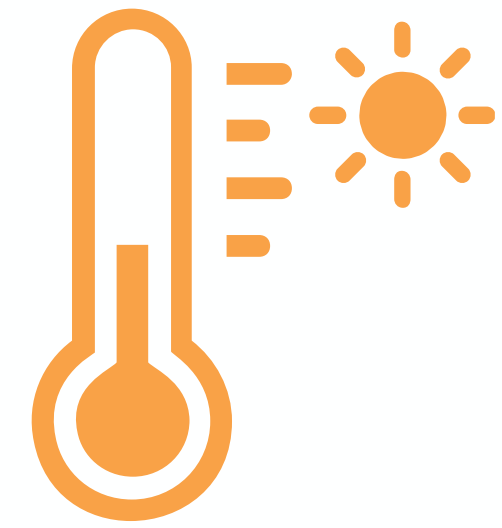
REFLEX GRAY

AC68

CROSS-SECTION



DECLARATION OF PERFORMANCE



Thermal transmittance

FULL DOOR
Ud= 1,0 W/m2K

GLAZED DOOR
Ud= 1,2 W/m2K



Air permeability

CLASS 4

Essential characteristics	Performance	Harmonized technical specification
Resistance to wind loads	Class C2	PN-EN 14351-1:2006+A2:2016
Waterproofness	Class 2A Inward opening	
	Class 7A Outward opening	
Air permeability	Class 4	
Heat transfer coefficient	Ud= 1,0 W/m²K Full panel door	
	Ud= 1,2 W/m²K Door with glazing	
Heat transfer coefficient for the reference dimension (1230 mm x 2180 mm)	Ud= 0,93 W/m²K Full panel door	
	Ud= 1,1 W/m²K Door with glazing	
Solar radiation characteristics Solar radiation factor (g)	NPD	
Dangerous substances	None	
Impact resistance	Class 1	

9. Relevant technical documentation or specific technical documentation

DS68 AC technical documentation

10. This declaration of performance is issued under the sole responsibility of the manufacturer specified at pt. no. 4



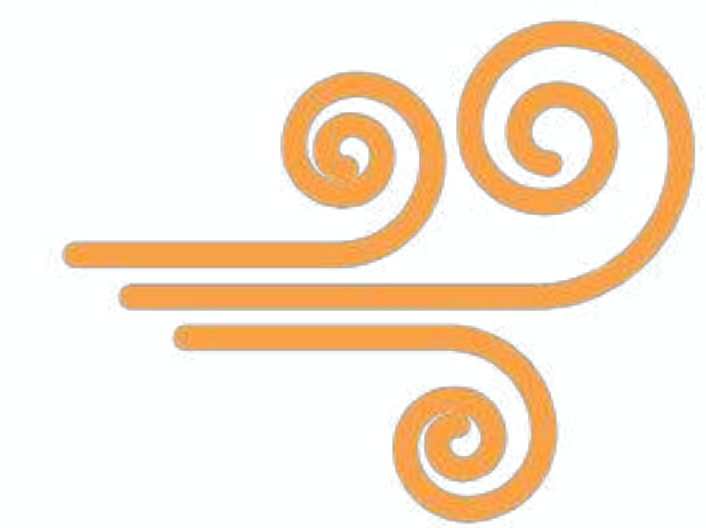
Watertightness

OUTWARD-OPENING DOORS

CLASS 7A

INWARD-OPENING DOORS

CLASS 2A

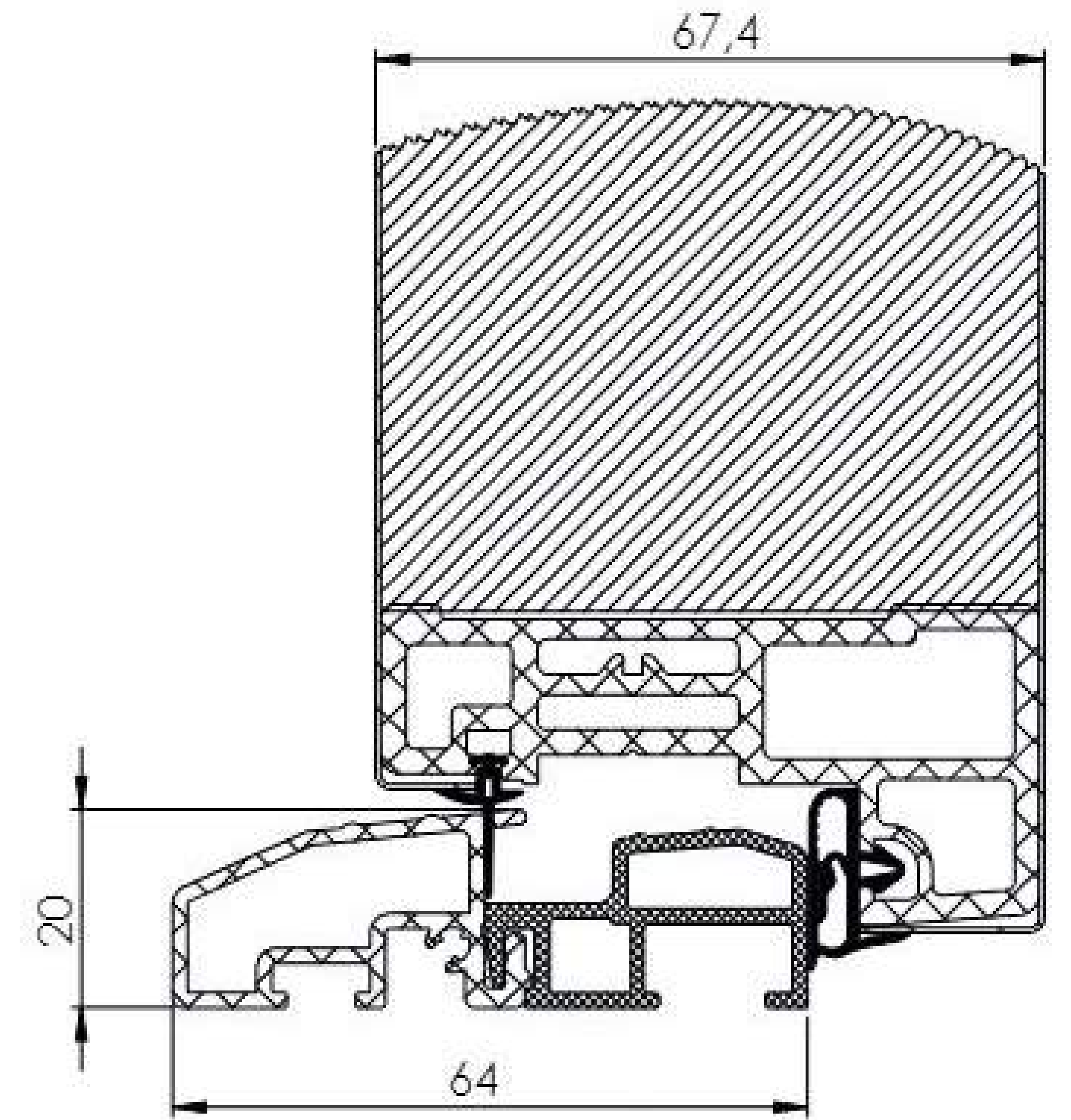
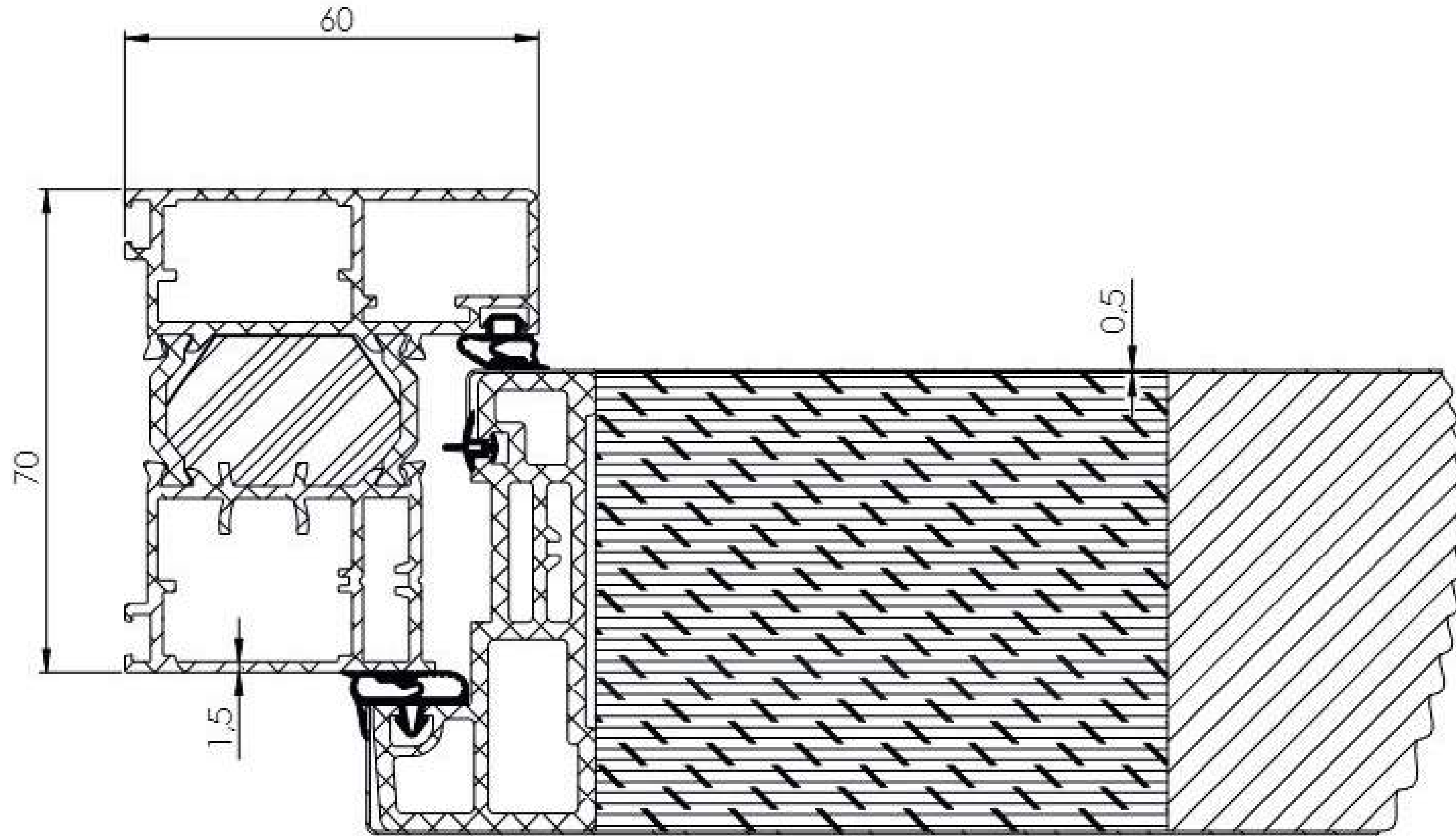


Wind load resistance

CLASS C2

AC68

TECHNICAL DRAWING

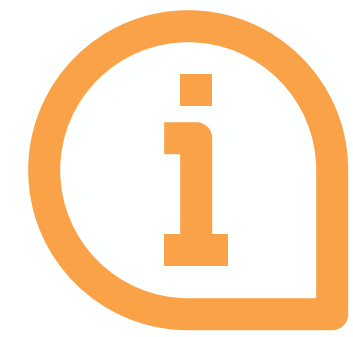
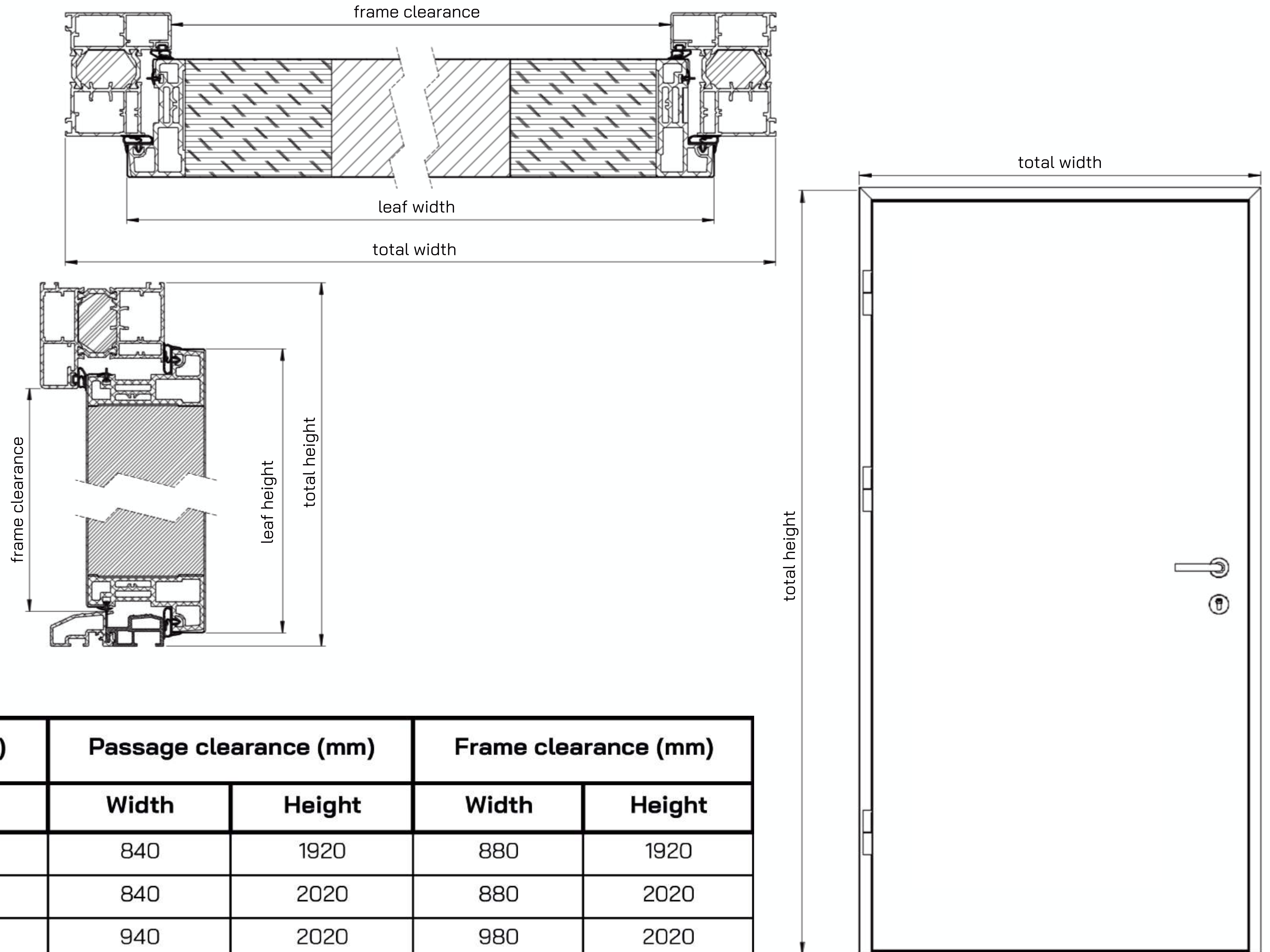


AC68

DIMENSIONS

AC68 series doors are available in three sizes.

Below are the detailed dimensions, including the installation opening, the frame clearance, and the passage clearance (in millimeters).



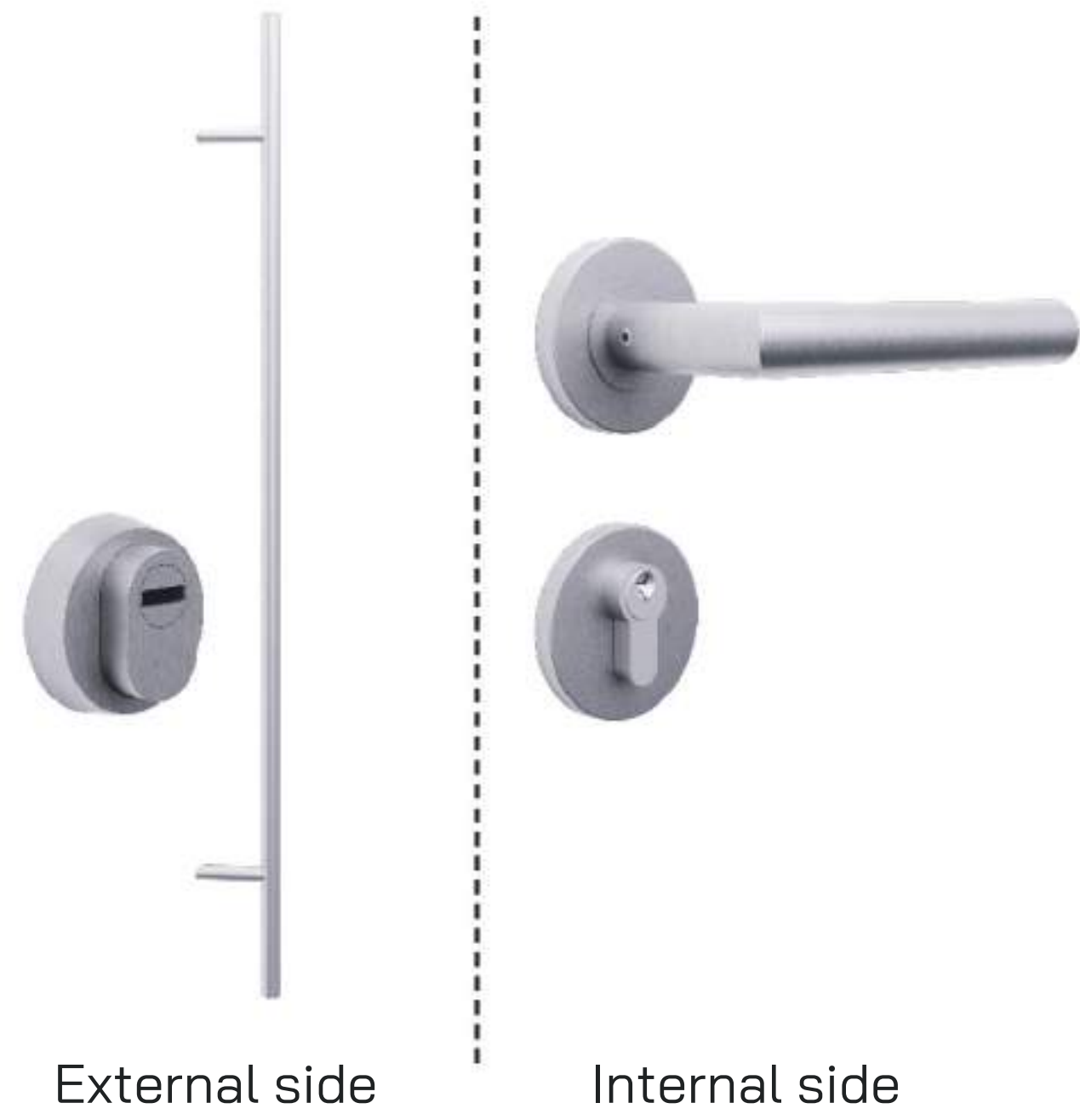
The frame clearance refers to the internal dimensions of the frame, determining the size of the door opening.
The passage clearance is the space available for passing through, reduced by the door thickness and structural elements such as hinges or seals.

Door dimension (mm)		Installation opening dimension (mm)		Passage clearance (mm)		Frame clearance (mm)	
Width	Height	Width	Height	Width	Height	Width	Height
1000	2000	1030	2015	840	1920	880	1920
1000	2100	1030	2115	840	2020	880	2020
1100	2100	1130	2115	940	2020	980	2020

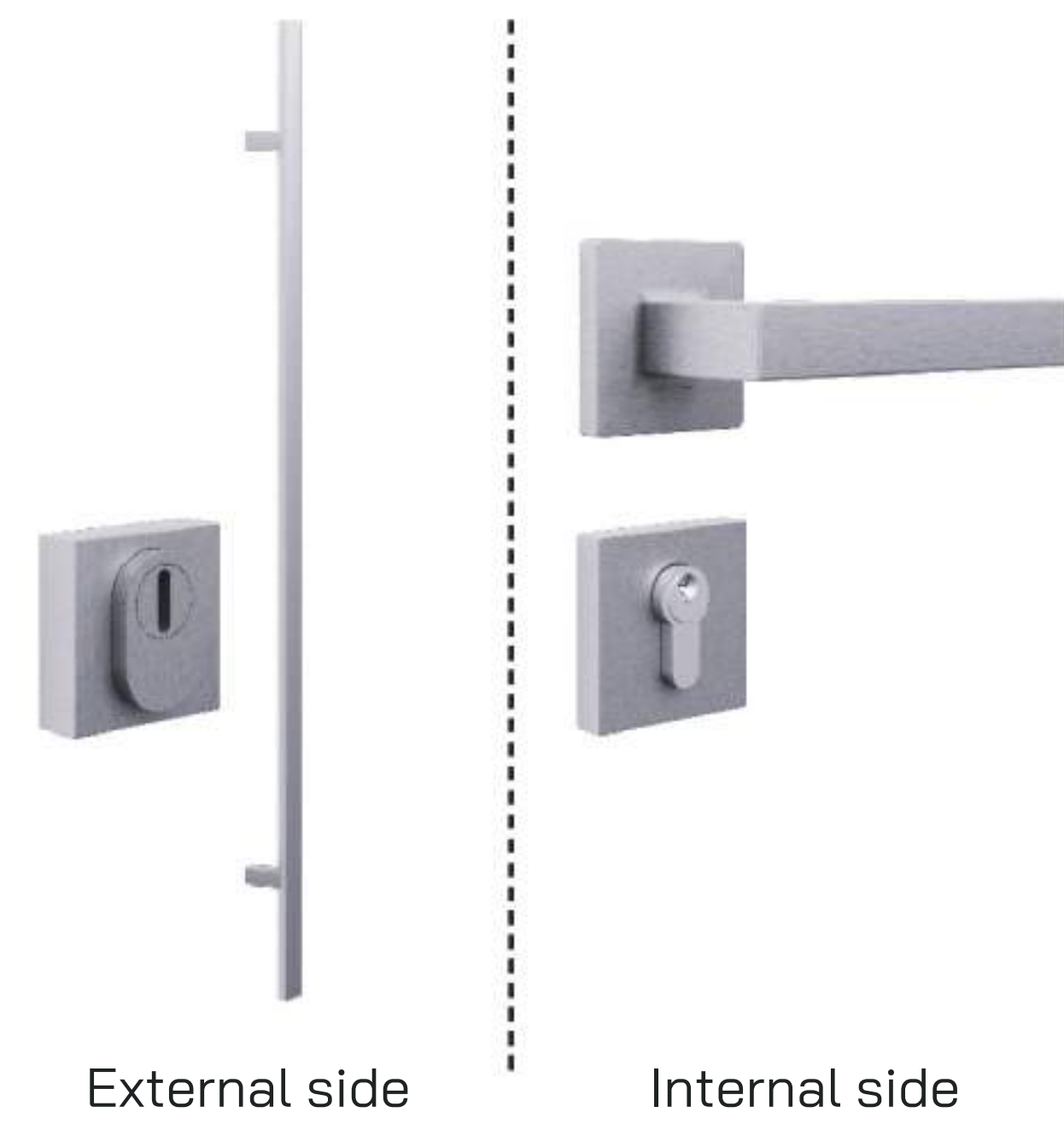
AC68

FITTINGS

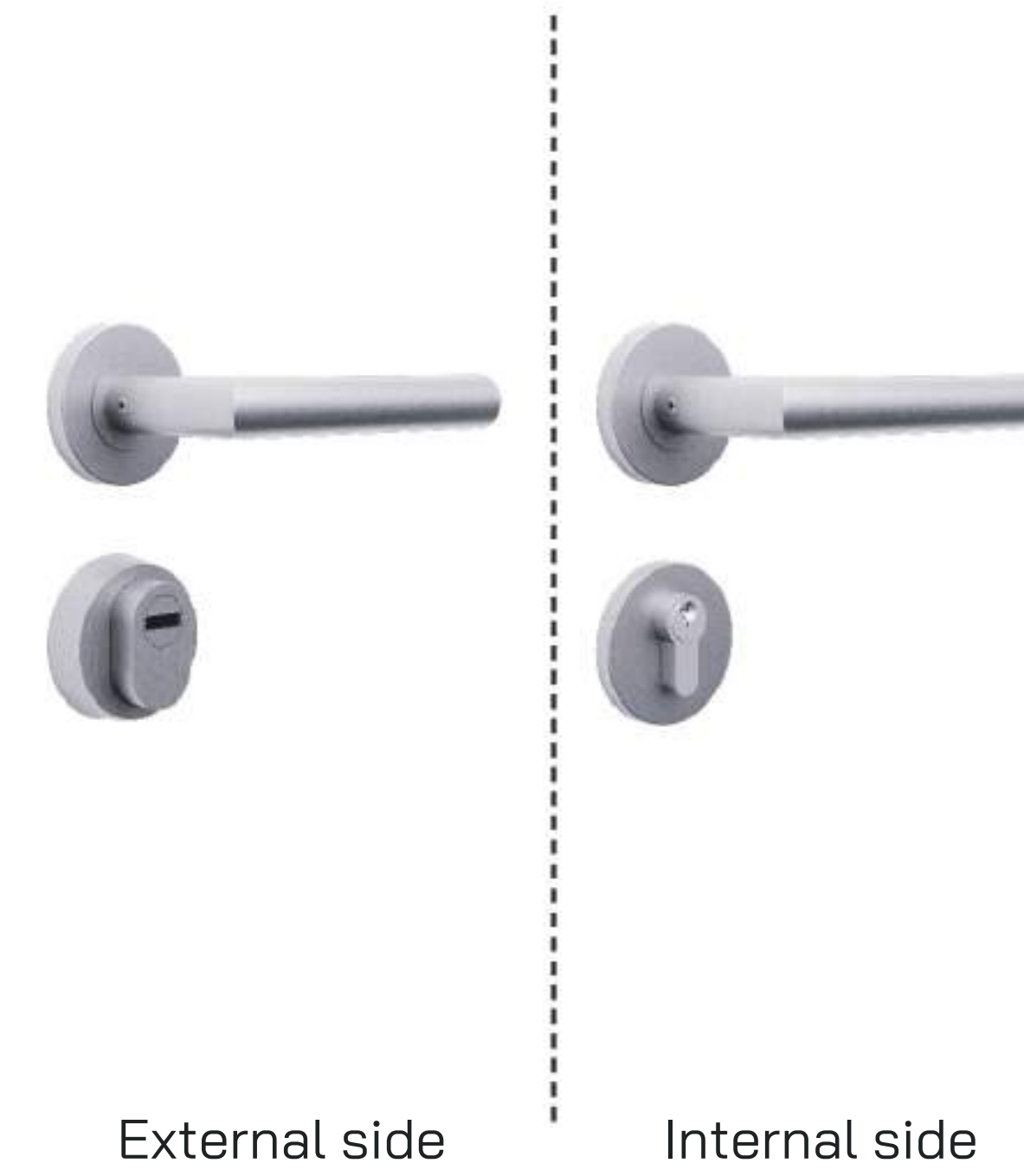
Round pull handle on the outside
(length 160 cm, 120 cm, 50 cm),
lever handle on the inside



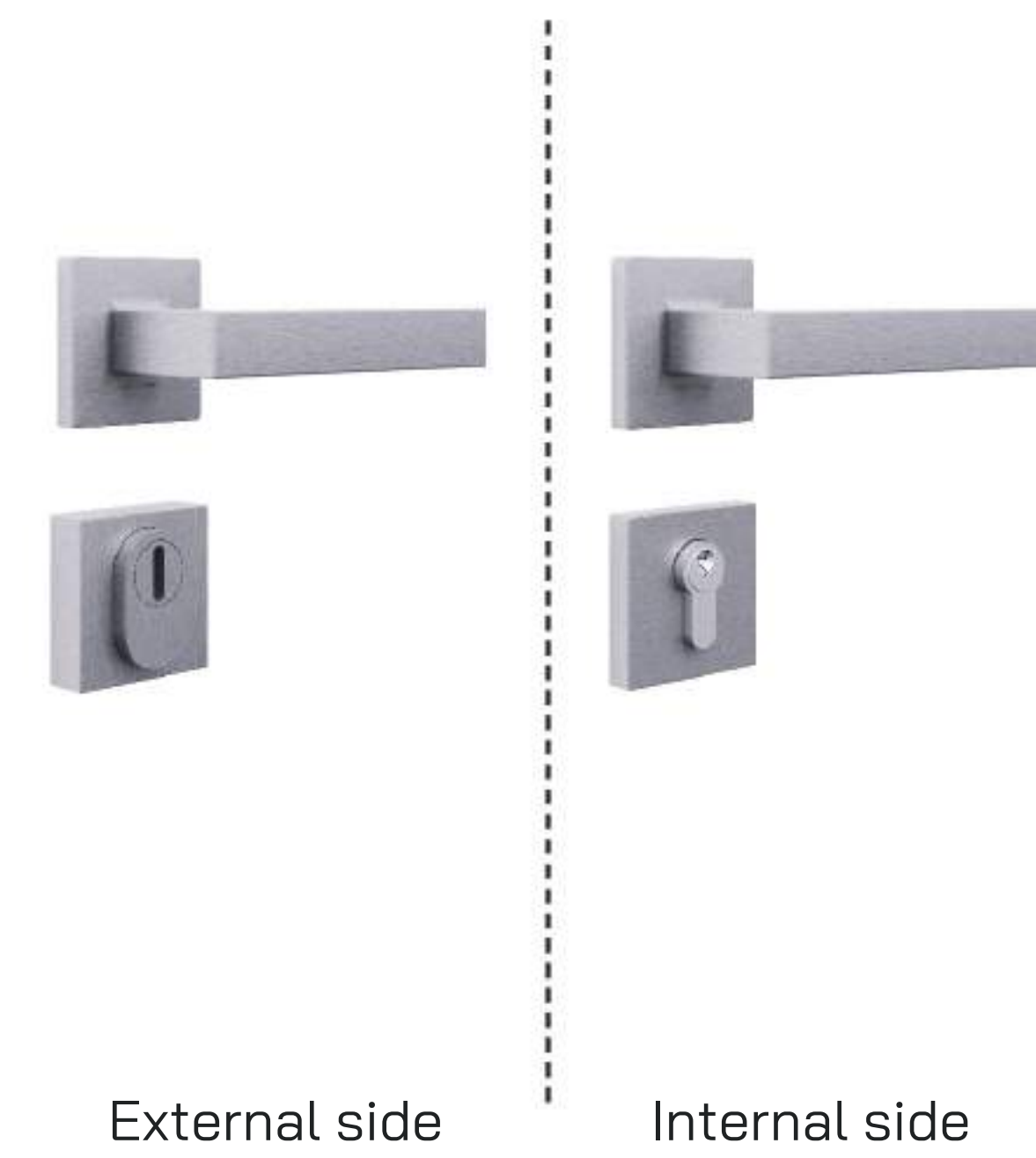
Square pull handle on the outside
(length 160 cm, 120 cm),
lever handle on the inside



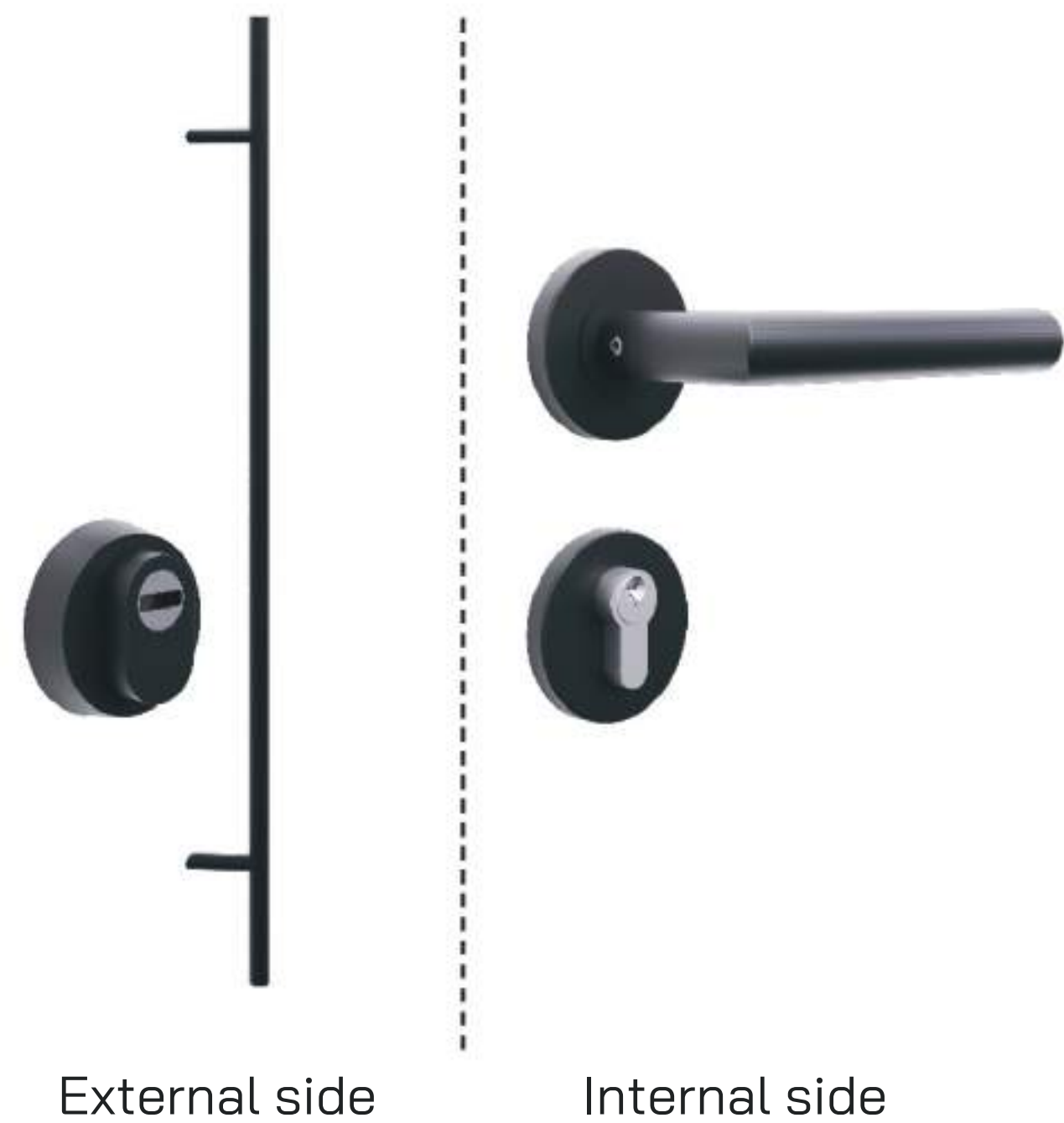
Lever handle on both sides



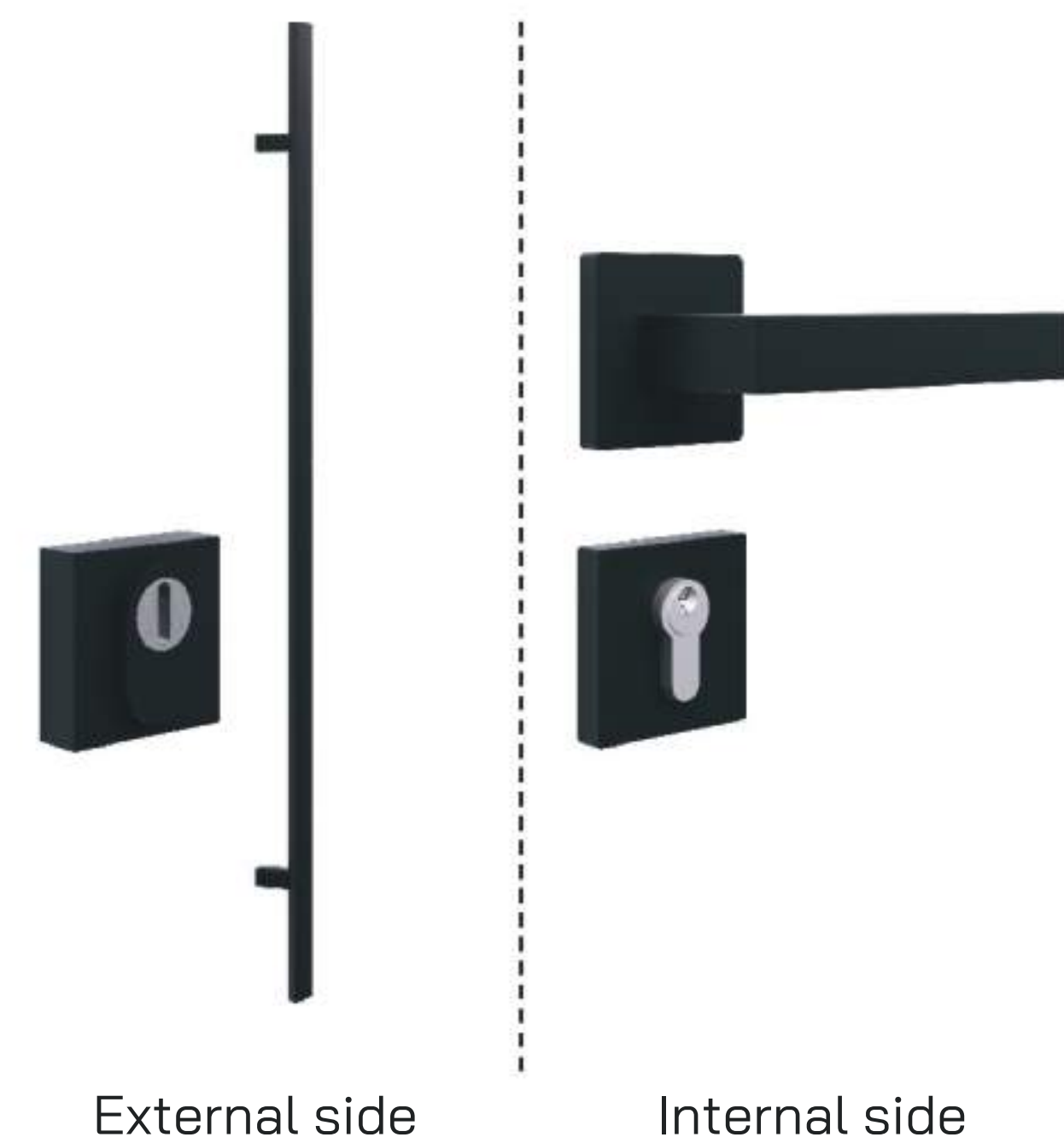
Square lever handle on both sides



Round pull handle on the outside
(length 160 cm, 120 cm),
lever handle on the inside



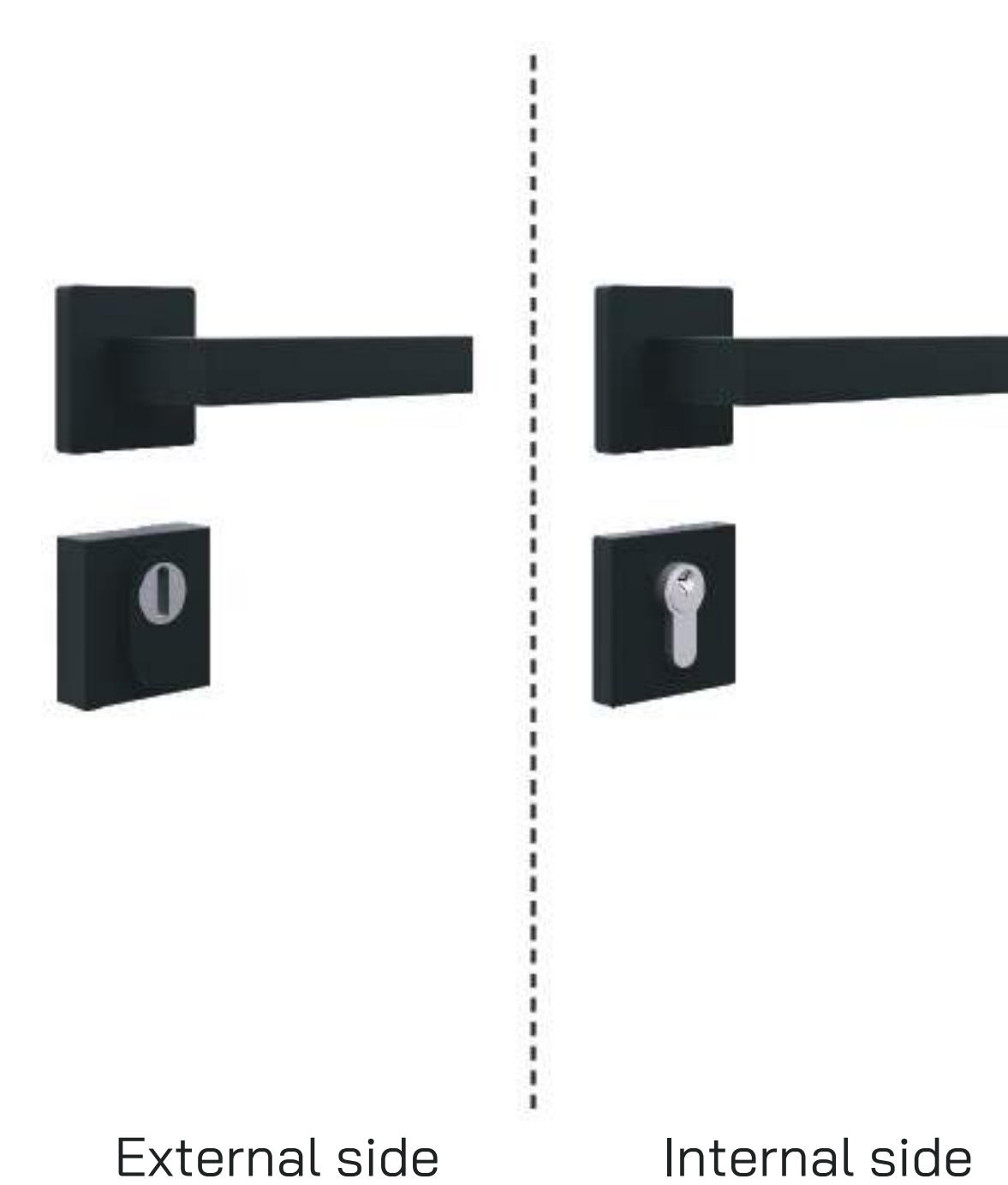
Square pull handle on the outside
(length 160 cm, 120 cm),
lever handle on the inside



Lever handle on both sides



Square lever handle on both sides



AC68

OPTIONAL FITTINGS

In addition to standard hardware sets, which stand out for their elegance and modernity, we also offer optional sets available alongside.

These are available in **INOX** and **Blackline** versions, allowing you to further customize your doors to your individual needs and interior aesthetics.

SET 01
Round pull handle 160 cm on the outside,
lever handle on the inside



External side Internal side

SET 08
Square pull handle 160 cm on the outside,
lever handle on the inside



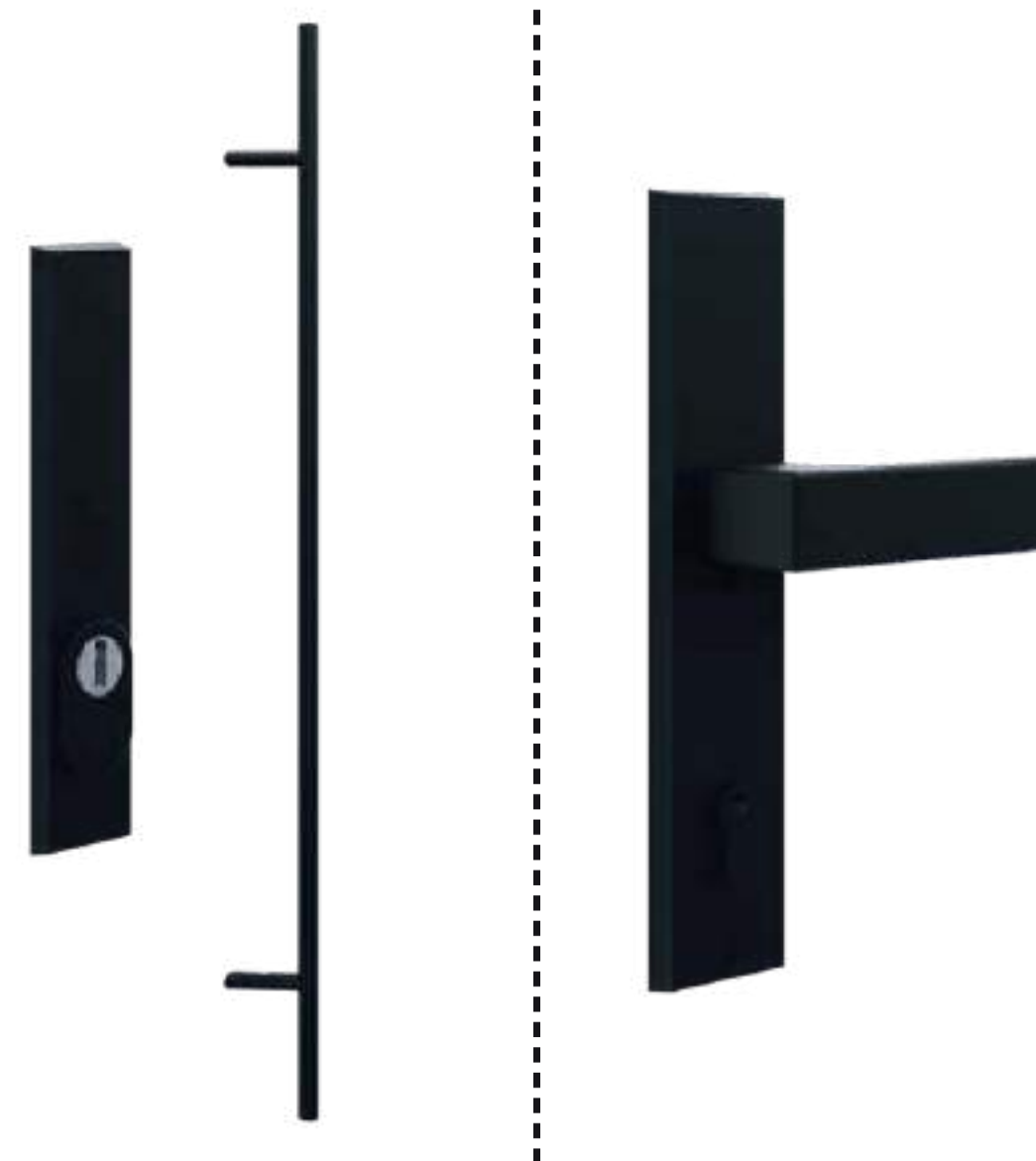
External side Internal side

SET 02
Lever handle on both sides



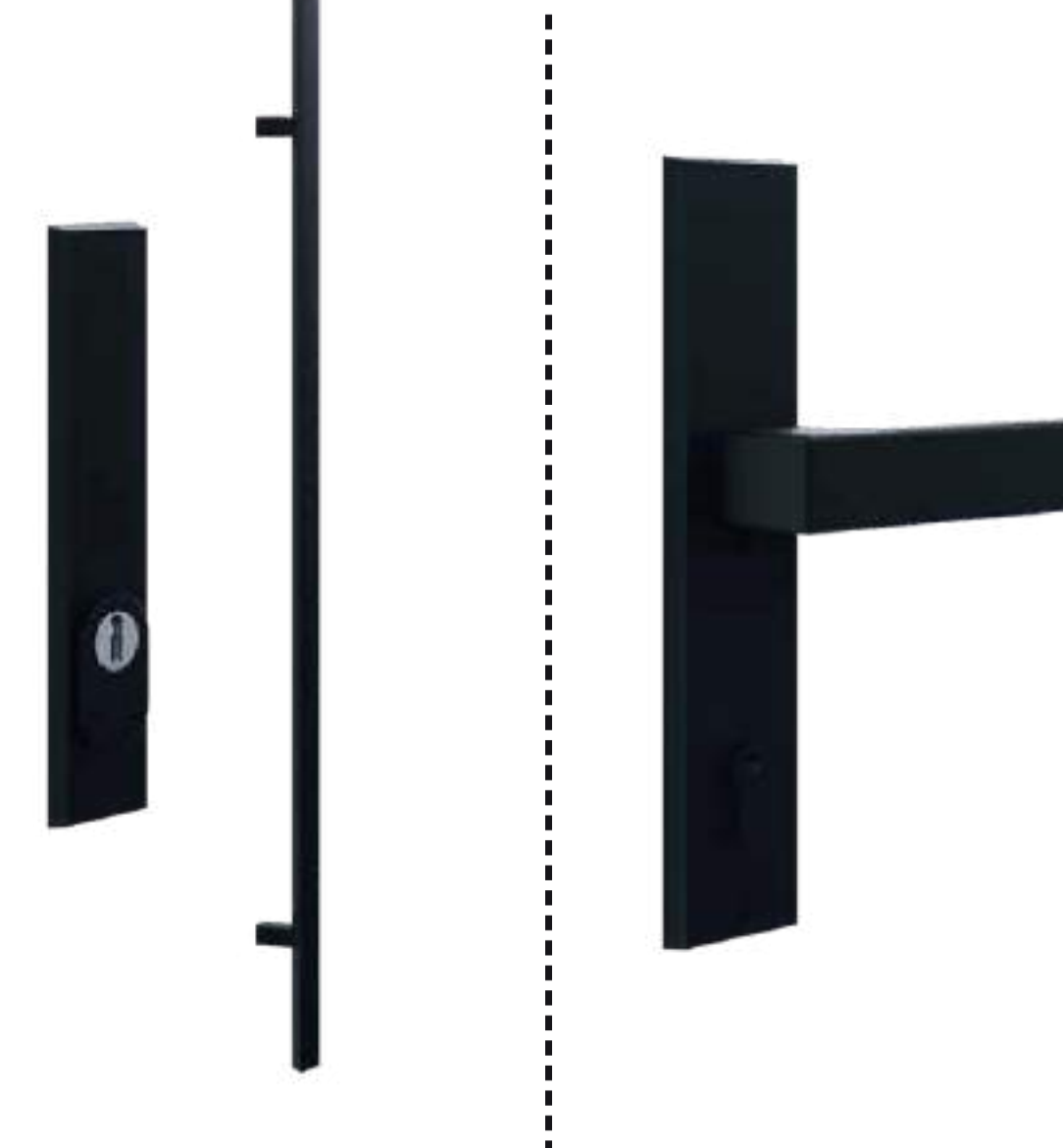
External side Internal side

SET 01 BL
Round pull handle 160 cm on the outside,
lever handle on the inside



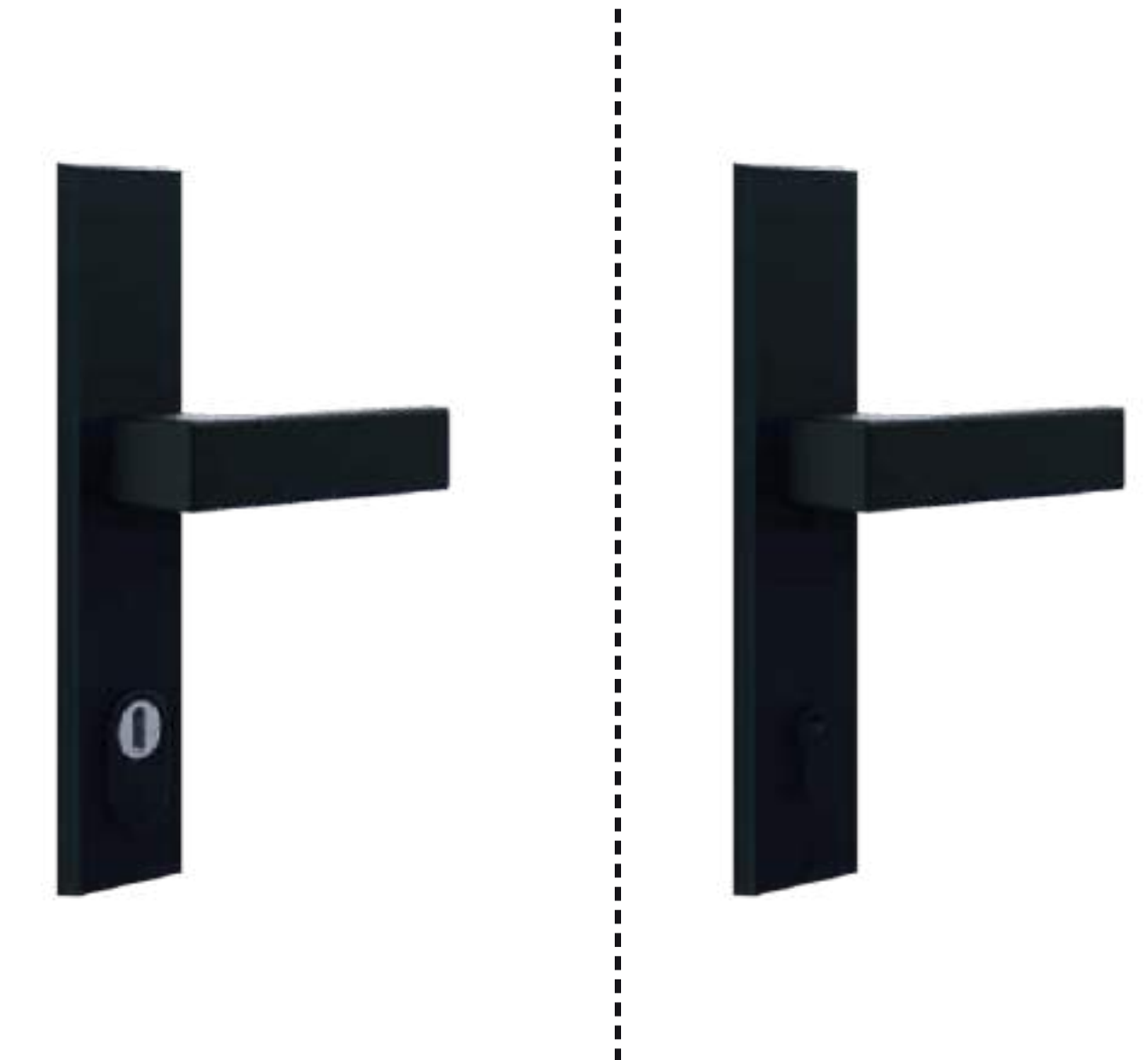
External side Internal side

SET 08 BL
Square pull handle 160 cm on the outside,
lever handle on the inside



External side Internal side

SET 02BL
Lever handle on both sides



External side Internal side

AC68

SIDELIGHTS

Integrated glazing adds elegance and a modern touch to the doors while letting in natural light, creating bright and cozy interiors.

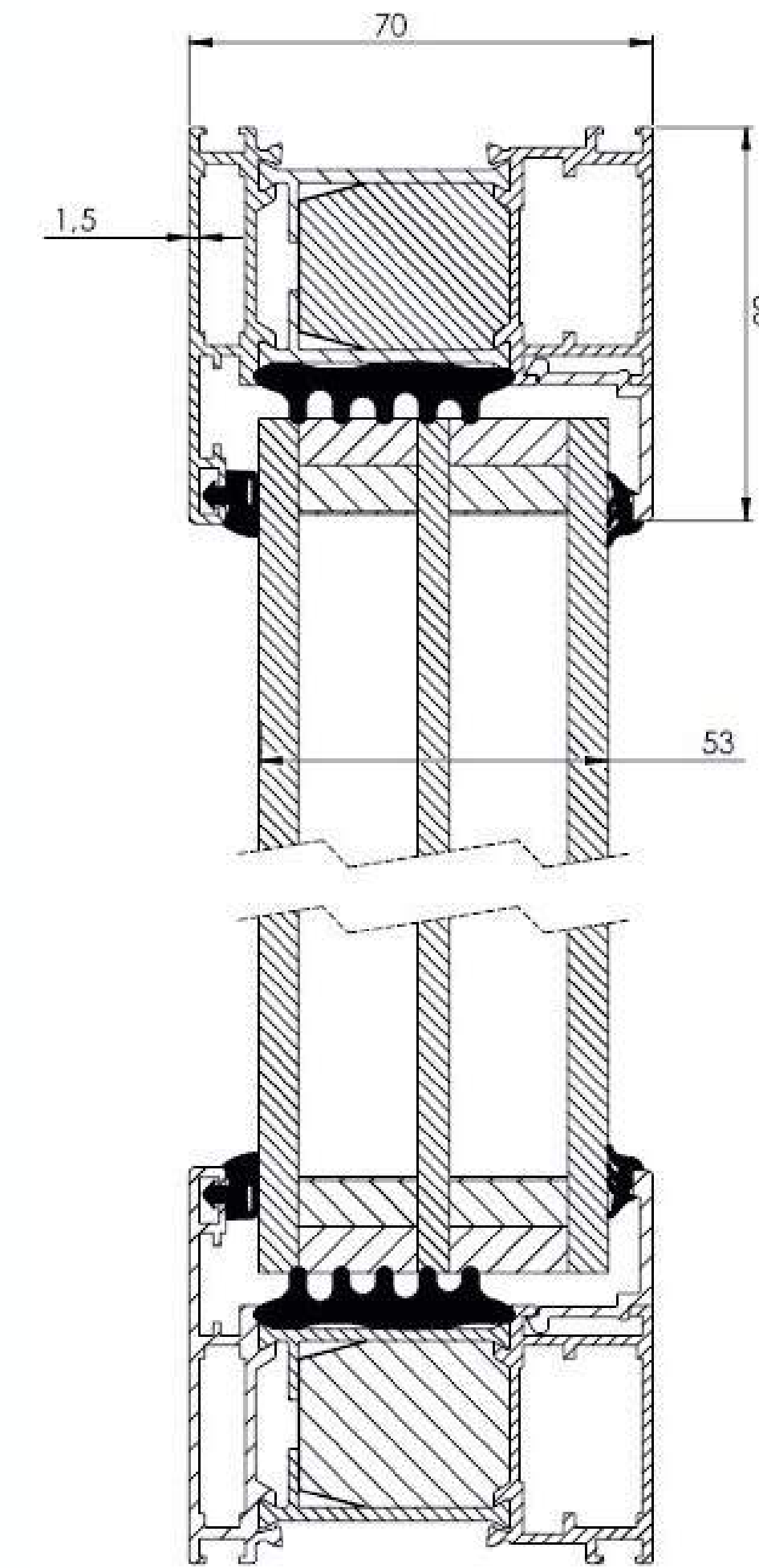
Additionally, it emphasizes the unique style of the doors, making them a perfect choice for both modern and classic arrangements.

Colors: SATIN, GRAPHITE GRAY, REFLEX GRAY, CLEAR GLASS

Triple-pane unit: laminated safety glass (VSG) on both sides

Available widths: from 300 mm to 1200 mm

Optional feature: transom window (available only without sidelights)



AC68

LOCK

Cylindrical lock insert: available in a version with 5 keys, equipped with an anti-panic function for enhanced safety and user convenience

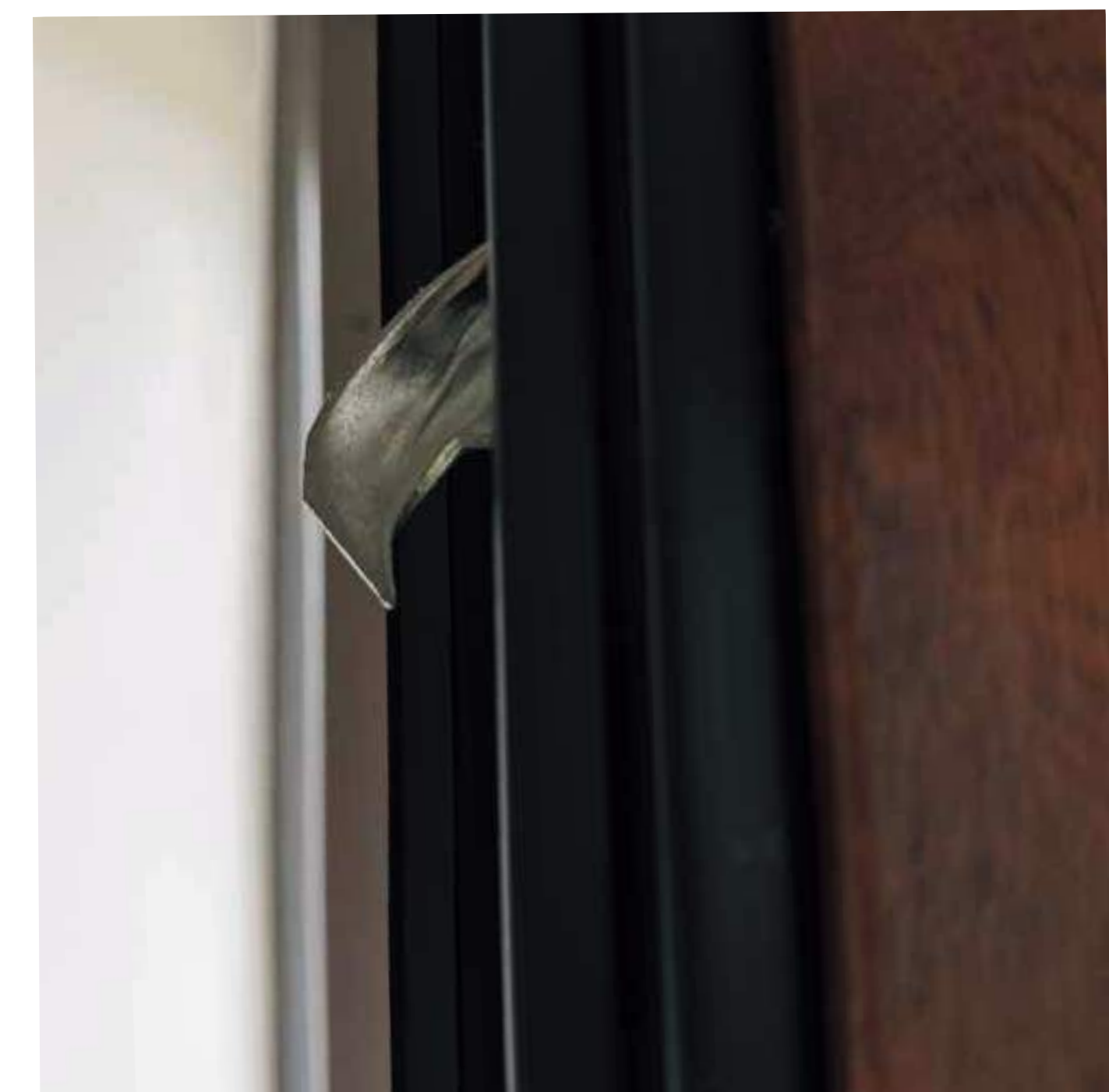
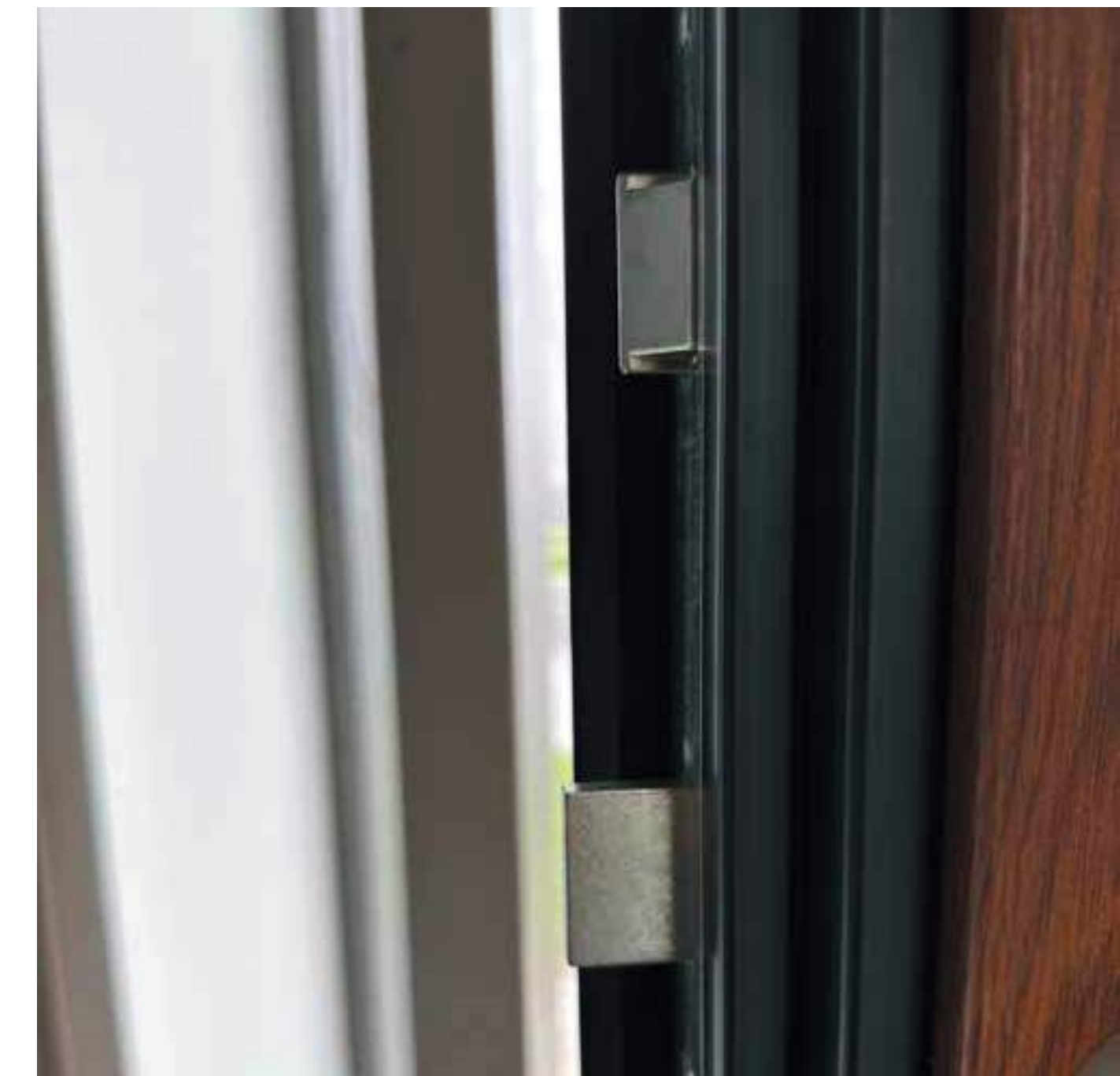
Insert dimensions: 45/55 mm

Backset: 92/65 mm

Optional feature: the option to equip with an electric strike for greater functionality



Winkhaus 3-point lock



AC68

HINGES

Number of hinges: 3

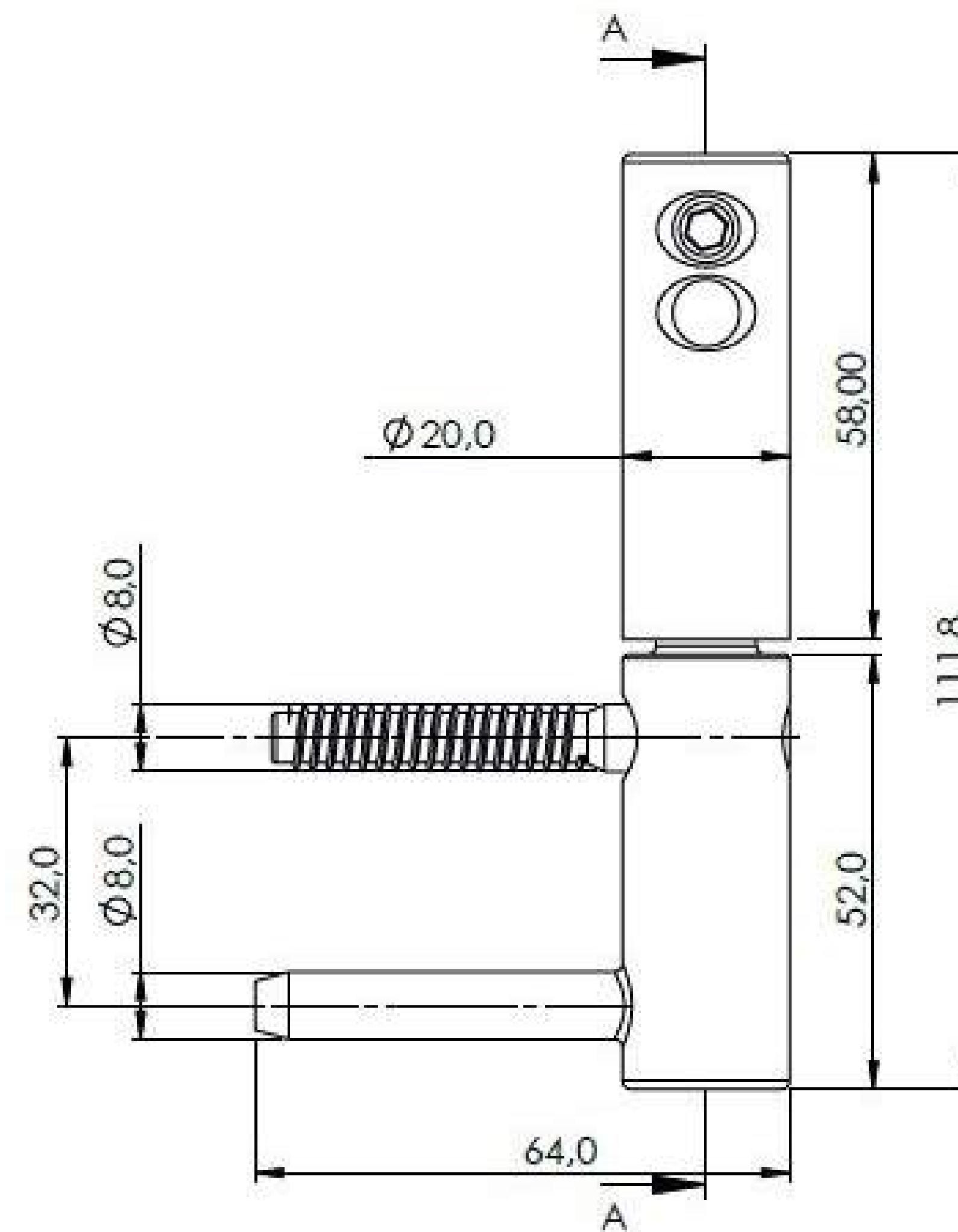
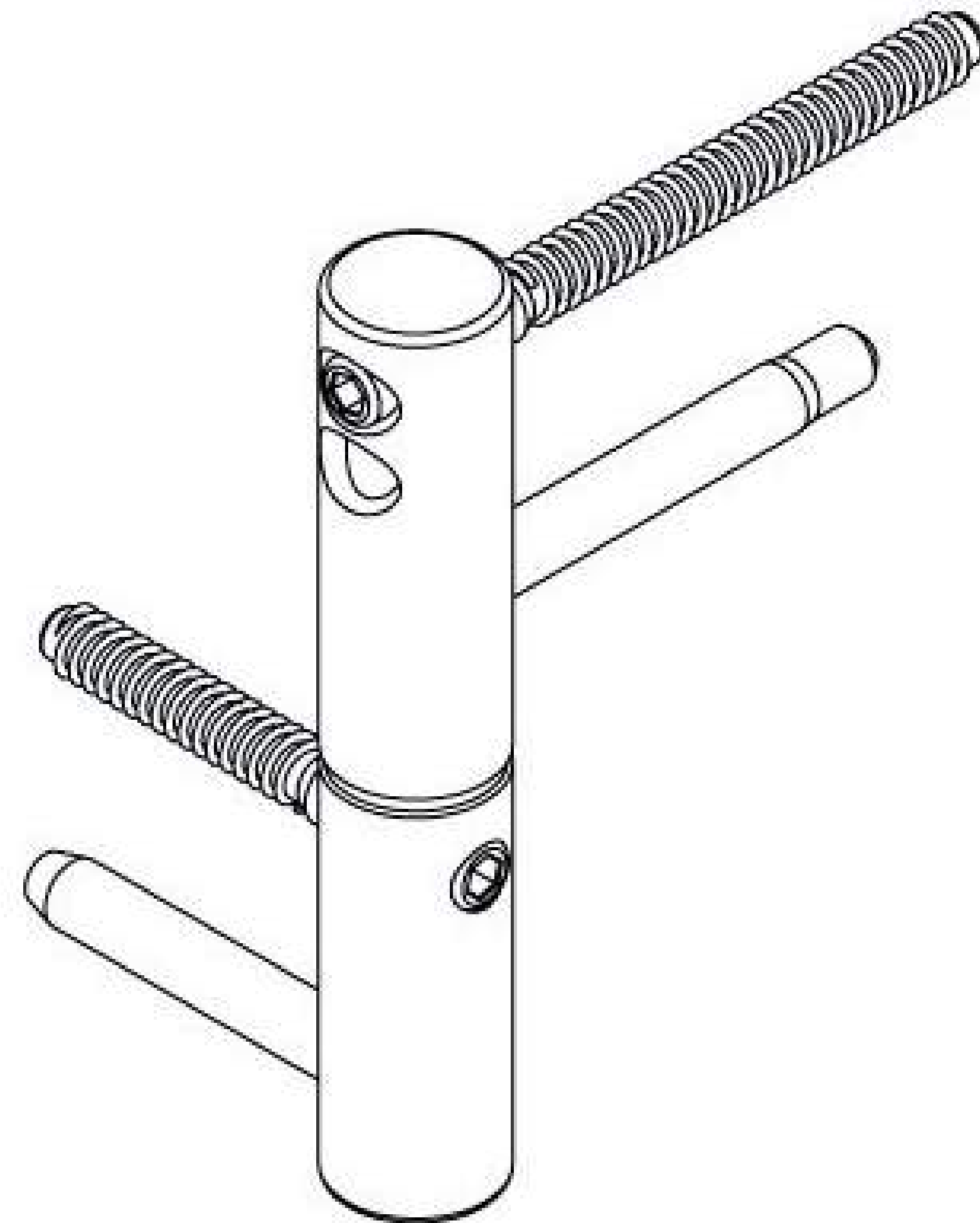
Type: two-piece, screw-in

Dimensions: diameter 20 mm

Anti-burglary pins: 6 pcs for added security

Adjustment: 3D (adjustable for gasket compression, horizontally, and vertically)

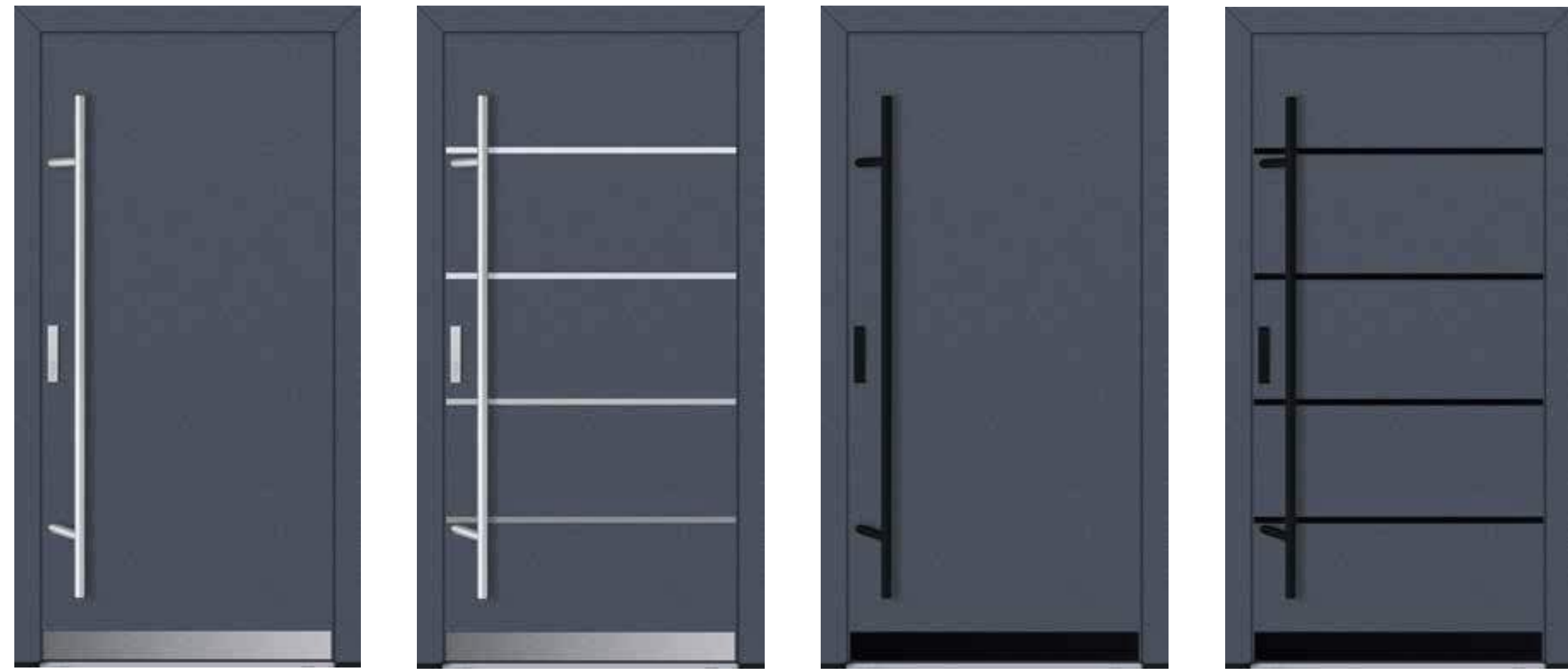
Included: hinge covers for an aesthetically pleasing finish



AC68

OPTIONAL FEATURES

Kick plate: available for all models, shown in models 00, 02, 20, and 22



Frame extensions: available in 25 mm, 50 mm, and 100 mm variants

Threshold strips: made of XPS material, 30 mm in height, providing durability and excellent thermal insulation



Additional equipment: peephole, electric strike with day/night function, cylindrical lock insert with anti-panic function, available with 5 keys and a turn knob.



AC68

PACKAGING

We take care of every stage of the order process, from production to delivery of the doors to the customer. Our packaging standards guarantee not only safety during transport but also maintain high aesthetics and product quality. Every detail, from material selection to securing methods, is carefully considered to meet the expectations of the most demanding customers.

Single order: 1 piece

Door packaging: cardboard, ensuring safety during transport

Pallet shipping: up to 12 pieces, depending on model and size

Door weight: from 60 kg to 95 kg (depending on size)

Pallet weight (12 pieces): from 750 kg to 1170 kg

Pallet dimensions: 220 cm x 120 cm or 240 cm x 120 cm



Truck load capacity: 12 pallets

Optional feature: dropshipping available for an additional fee