

TÜRENWERKE



STEEL-ALUMINIUM
DOORS

DS82

USAGE

Great thermal parameters and a modern look.

The main features of this series:

- sidelights can be connected
- handle bars available

7 models available, the blackline option
and 4 color versions

01

ANTHRACITE

03

WINCHESTER

02

WHITE

04

WALNUT

ANTHRACITE



WHITE



WINCHESTER



WALNUT



MODELS



MODEL 00



MODEL 01



MODEL 02



MODEL 04



MODEL 05



MODEL 08



MODEL 14

MODELS



MODEL 00



MODEL 01



MODEL 02



MODEL 04



MODEL 05



MODEL 08



MODEL 14

MODELS



MODEL 00



MODEL 01



MODEL 02



MODEL 04



MODEL 05



MODEL 08



MODEL 14

MODELS



MODEL 00



MODEL 01



MODEL 02



MODEL 04



MODEL 05



MODEL 08



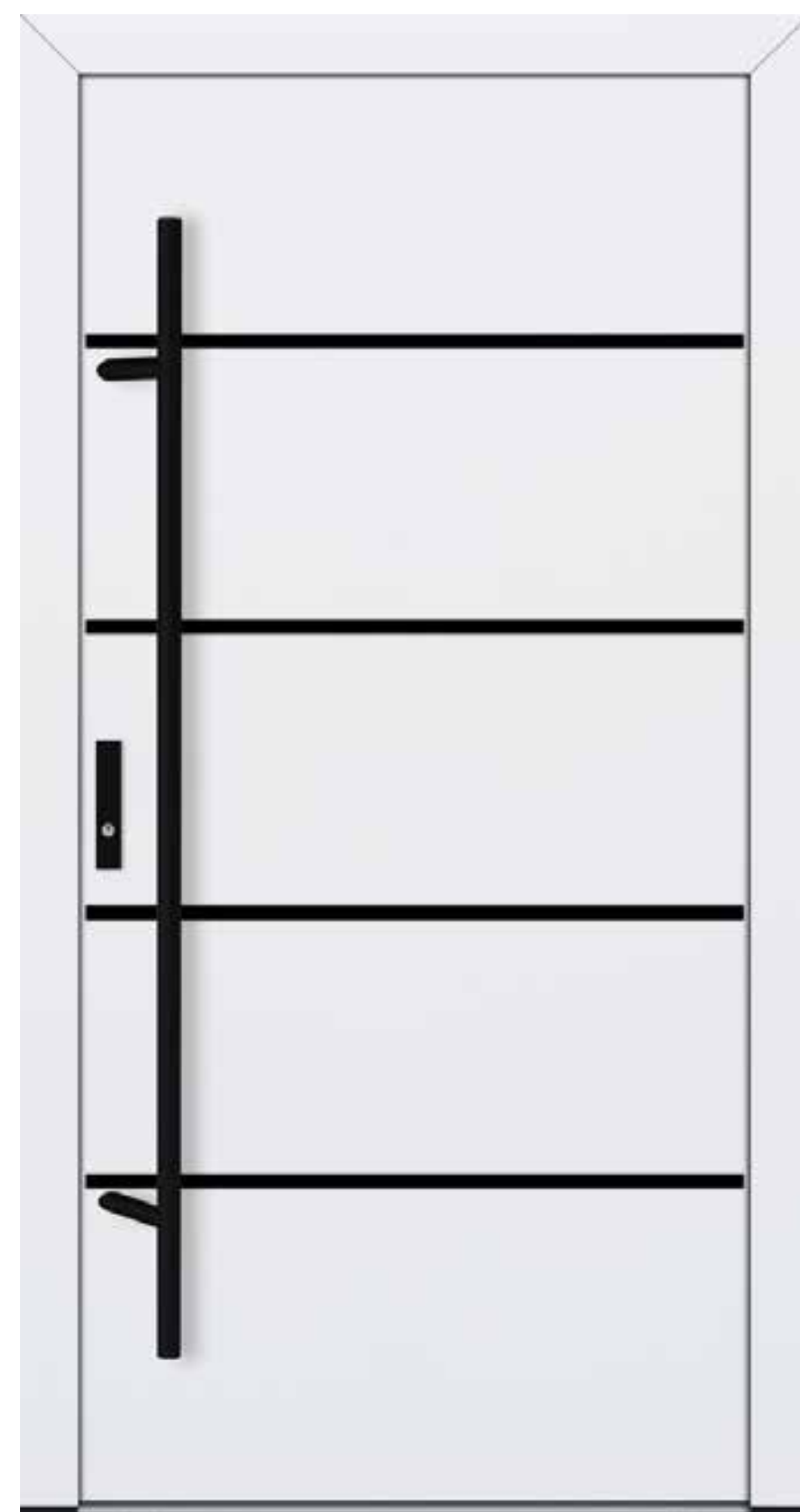
MODEL 14



MODEL 20



MODEL 21



MODEL 22



MODEL 24



MODEL 25

**BLACKLINE
MODELS OVERVIEW**



MODEL 28



MODEL 34

GLAZING

Glazing available for models: 01, 04, 05, 08, 14, 21, 24, 25, 28, 34

Glazing: 4 panes, warm edge spacers

Safety glass: ESG

Glass colors: SATINE, GRAPHITE GRAY, REFLEX GRAY



SATINE



GRAPHITE GRAY



REFLEX GRAY

DS 8 2

CROSS SECTION

4-side rebated



TECHNICAL INFORMATION

DS 82



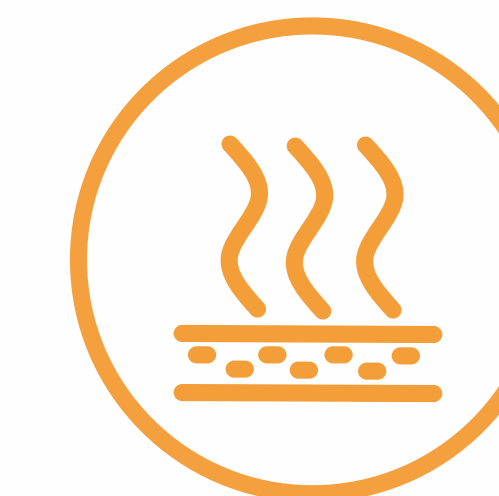
Resistance to wind loads

CLASS C2



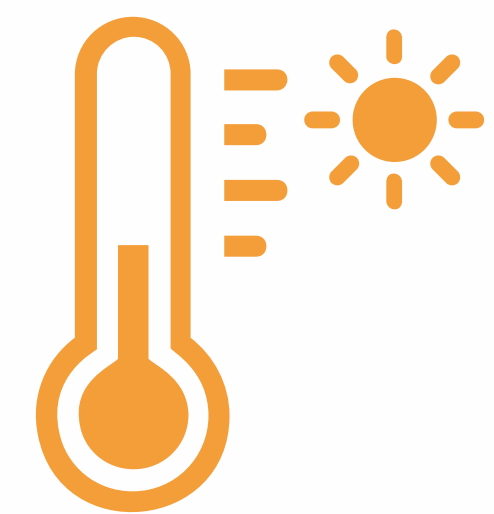
Waterproofness

OUTWARD OPENING DOOR
CLASS 3A



Air permeability

CLASS 4



Heat transfer coefficient

FULL PANEL DOOR

Ud= 0,68 W/m2K

DOOR WITH GLAZING

Ud= 0,89 W/m2K

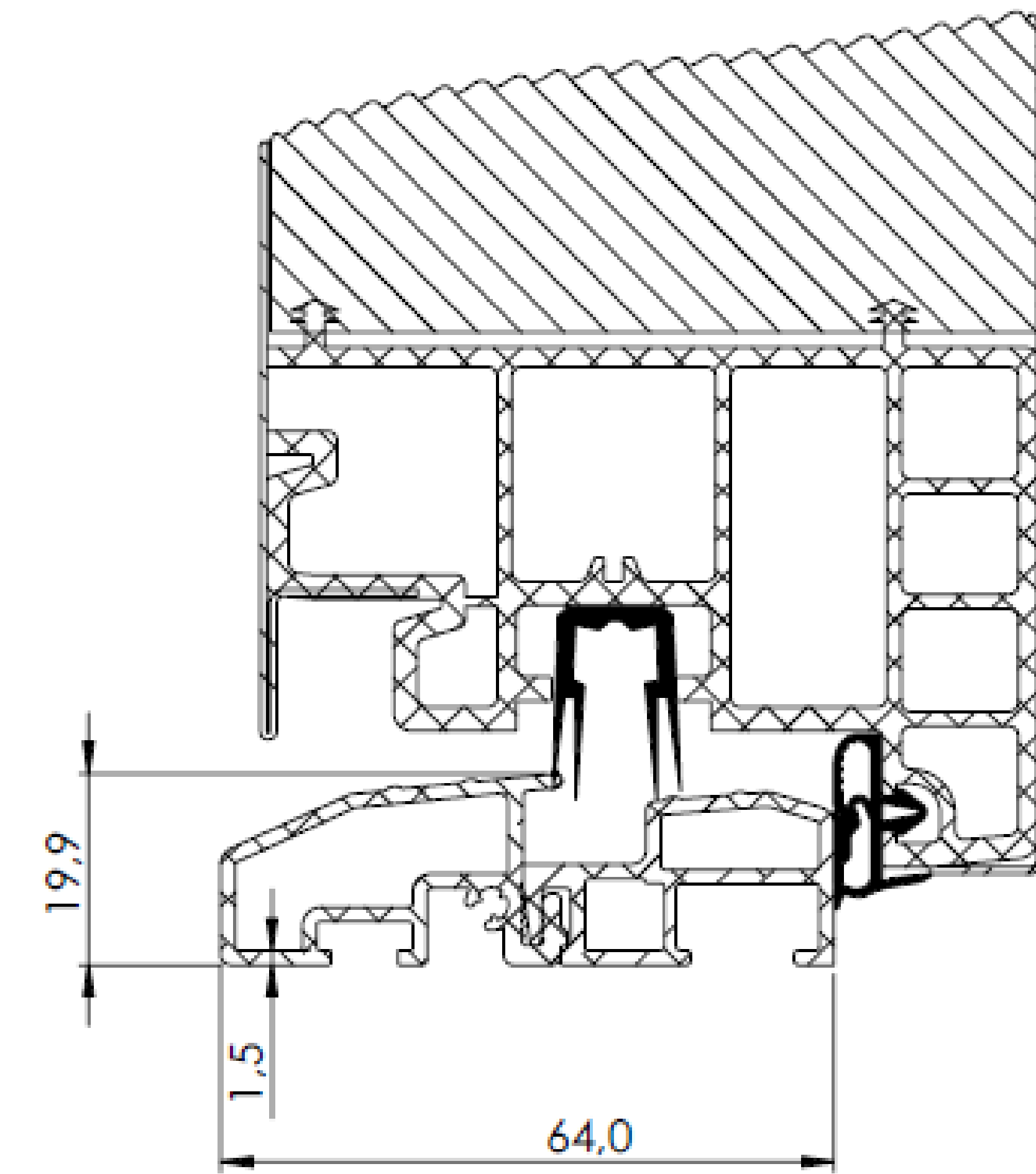
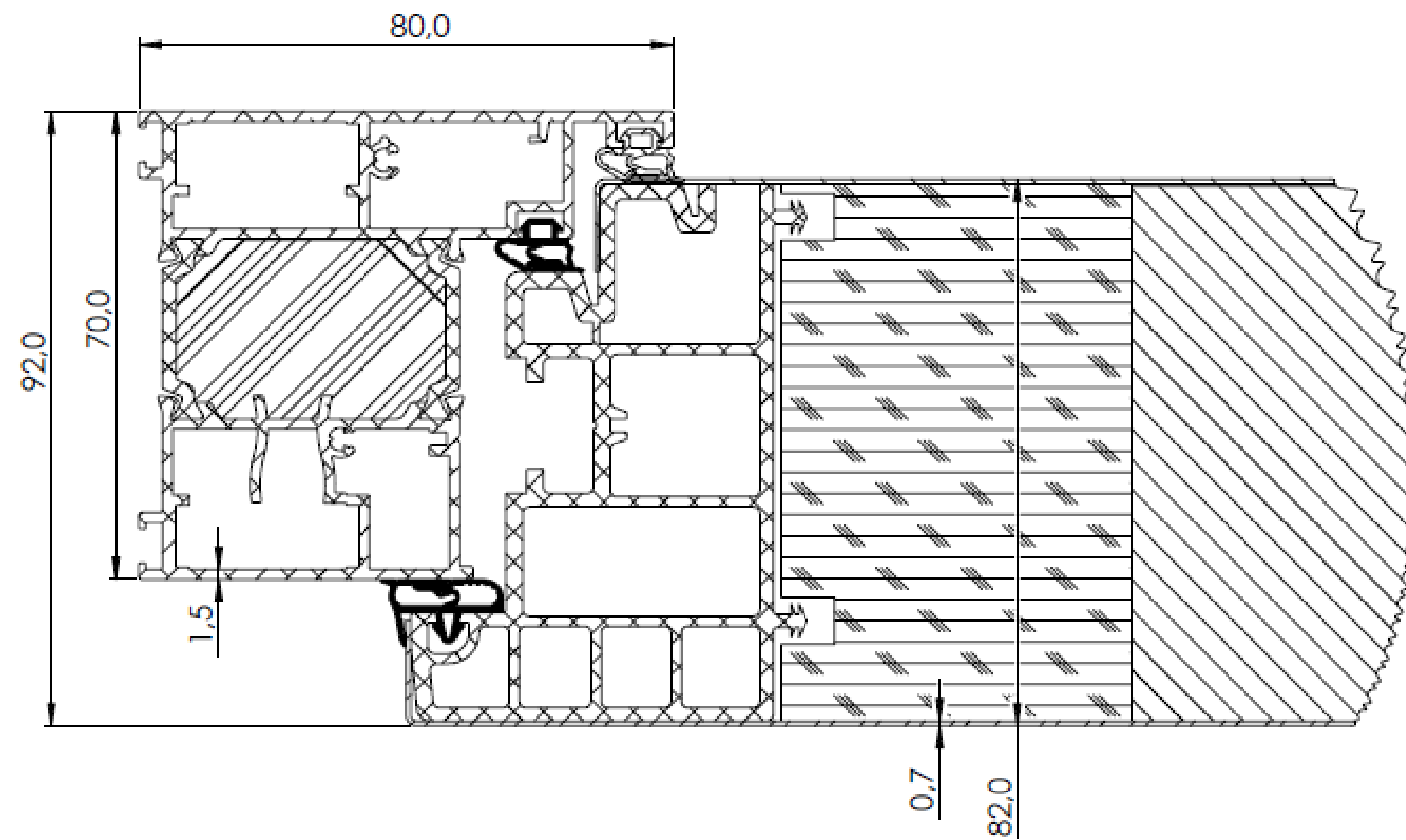
Essential characteristics	Performance	Harmonized technical specification
Resistance to wind loads	Class C2	PN-EN 14351-1:2006+A2:2016
Waterproofness	Class 3A Inward opening Class 3A Outward opening	
Air permeability	Class 4	
Heat transfer coefficient reference dimension 1230x2180	Ud= 0,68 W/m2K Full panel door Ud= 1,09 W/m2K Door with glazing M08 Ud= 0,89 W/m2K Door with glazing M01	
Solar radiation characteristics Solar radiation factor (g)	NPD	
Dangerous substances	None	
Impact resistance	Class 1	
Burglary resistance	RC2	

Relevant technical documentation or specific technical

PN-EN 1627:2012

TECHNICAL INFORMATION

DS 82

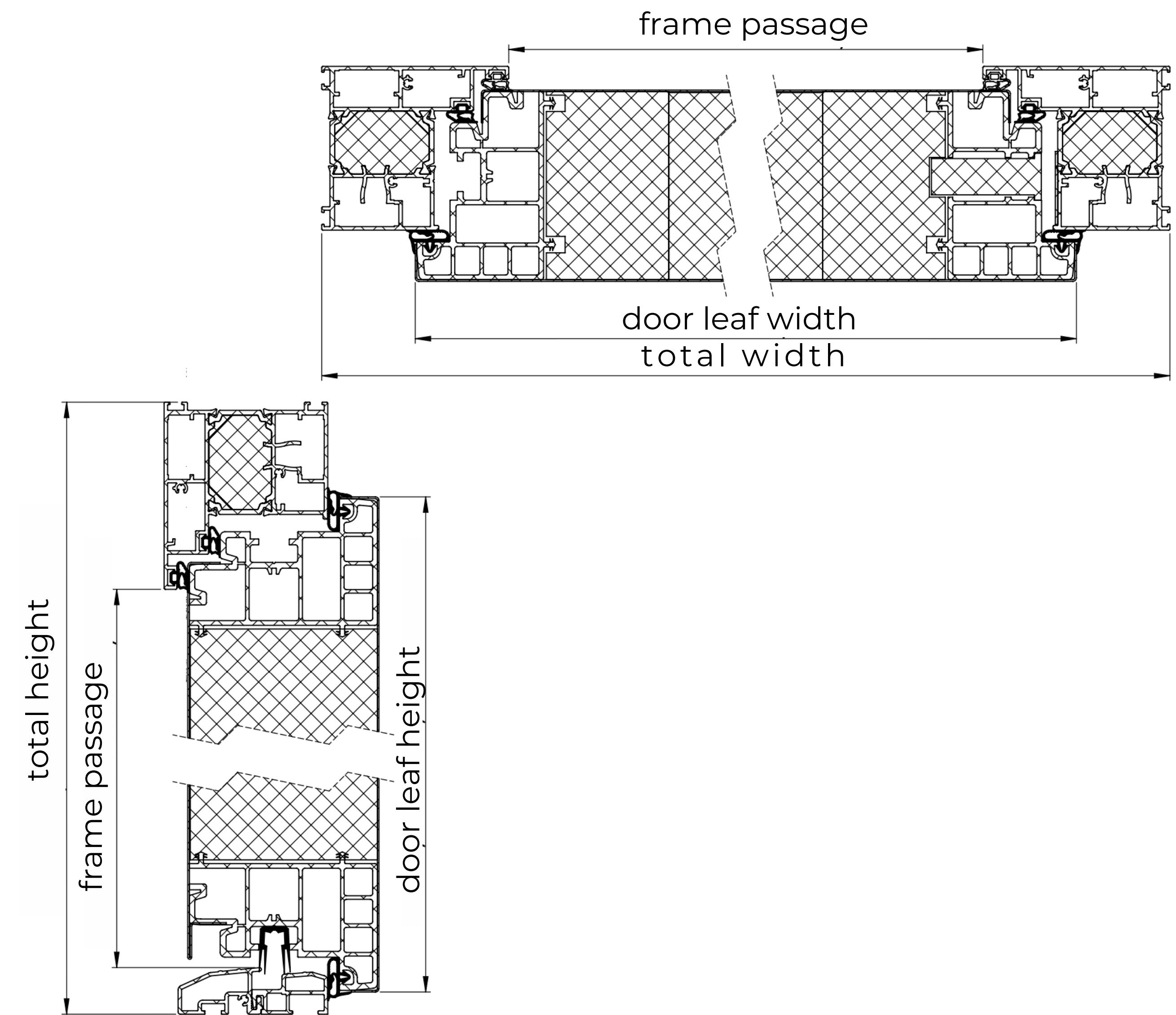
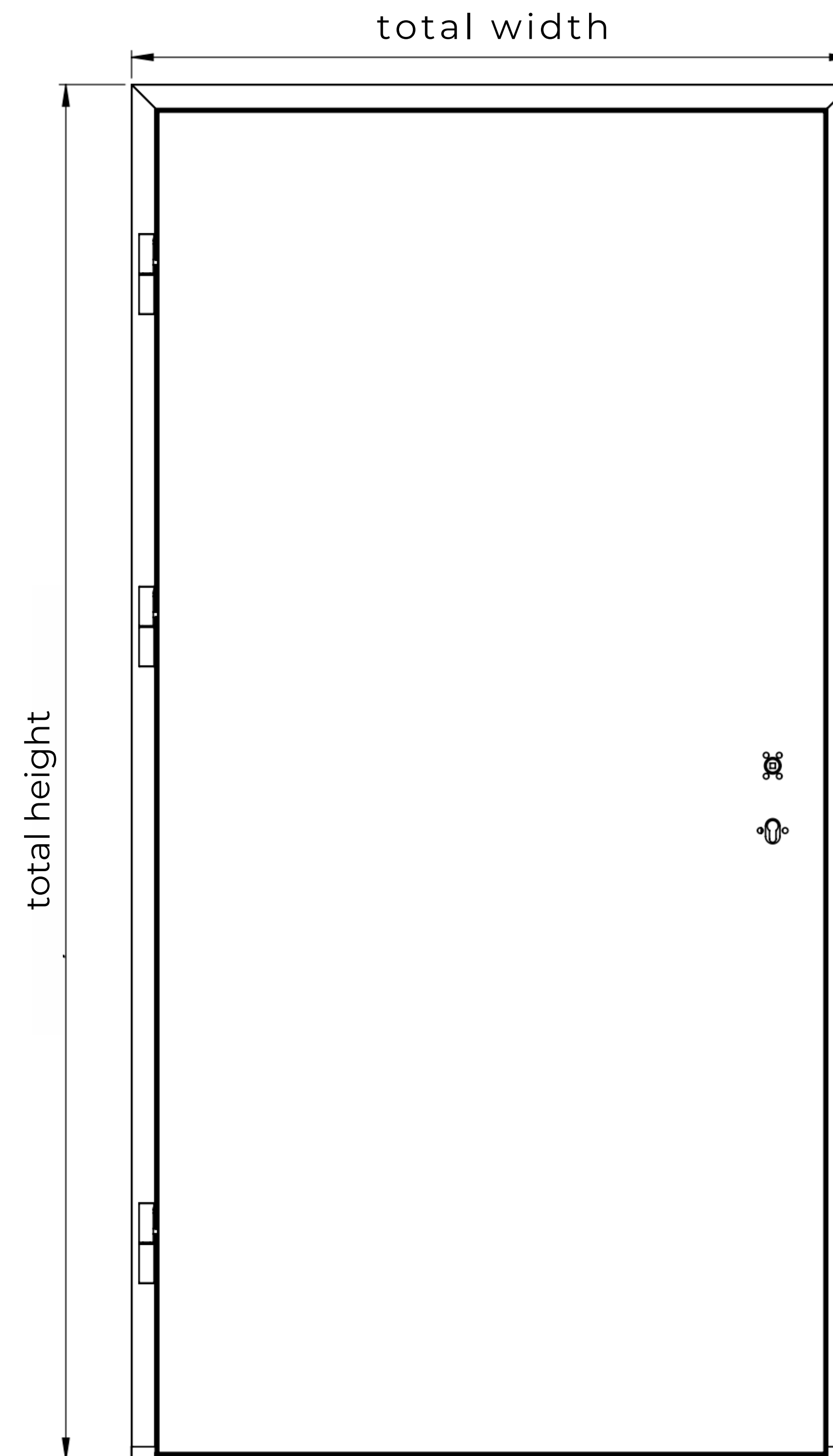


DIMENSIONS

DS82

880mm x 2080mm
 1000mm x 2000mm
 1000mm x 2100mm
 1100mm x 2100mm
 1100mm x 2200mm

total width	total height	door leaf width	door leaf height	frame passage
880	2080	800	2030	720x2000
1000	2000	920	1950	840x1920
1000	2100	920	2050	840x2020
1100	2100	1020	2050	940x2020
1100	2200	1020	2150	940x2120



FITTINGS

SET 01
160 cm round handle bar outside -
lever inside



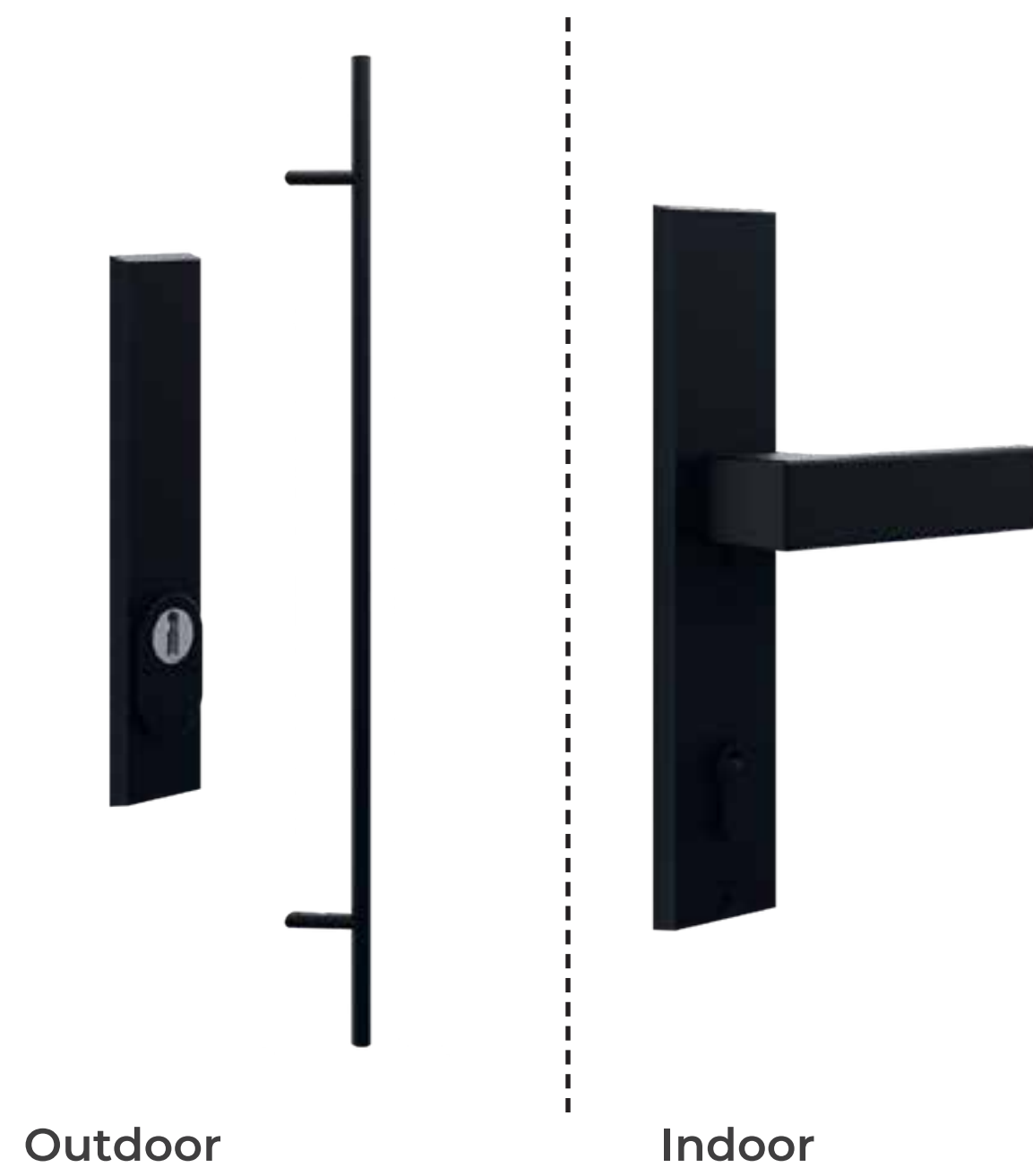
SET 08
160 cm square handlebar outside - lever
inside



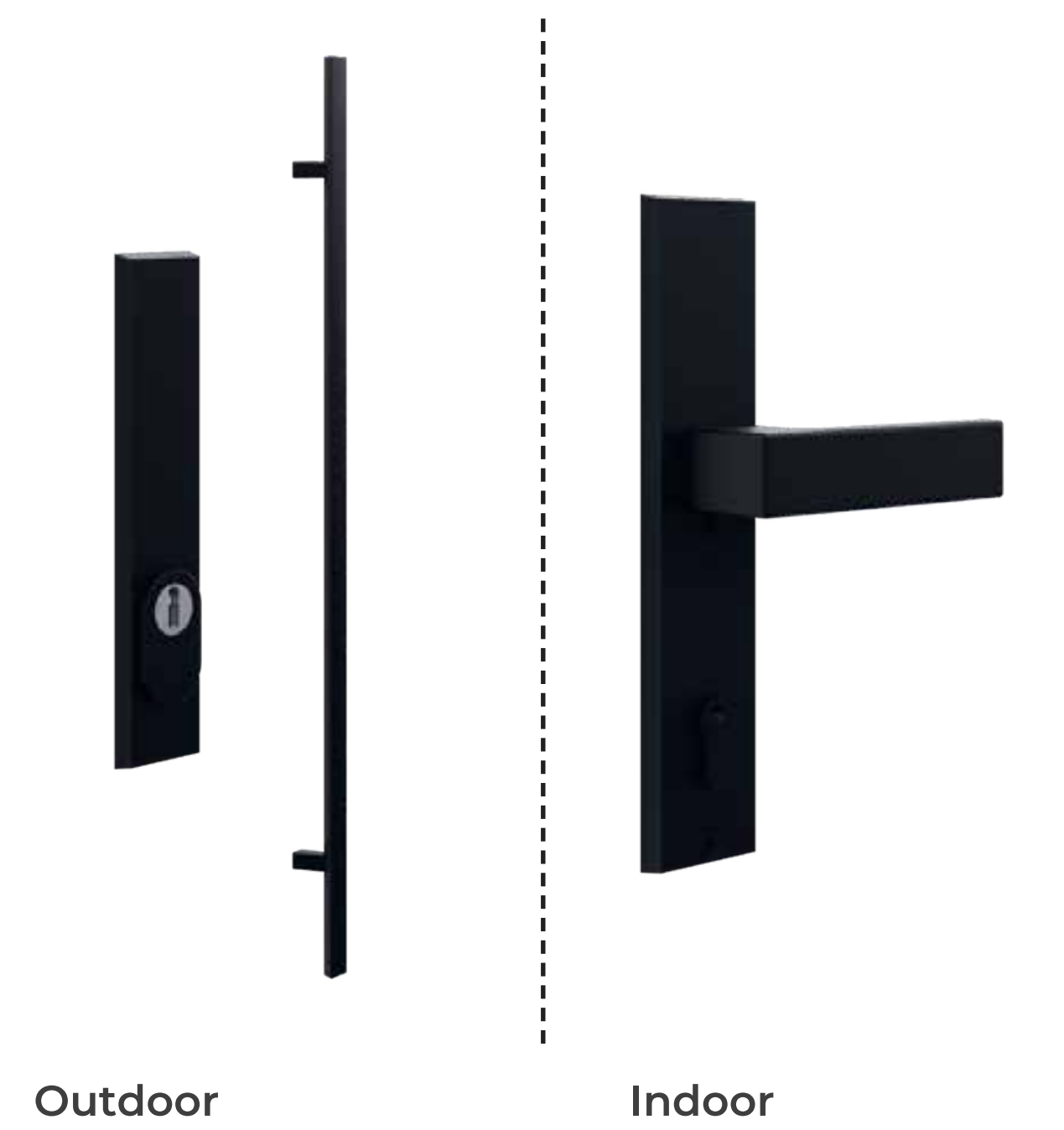
SET 02
Lever on both sides



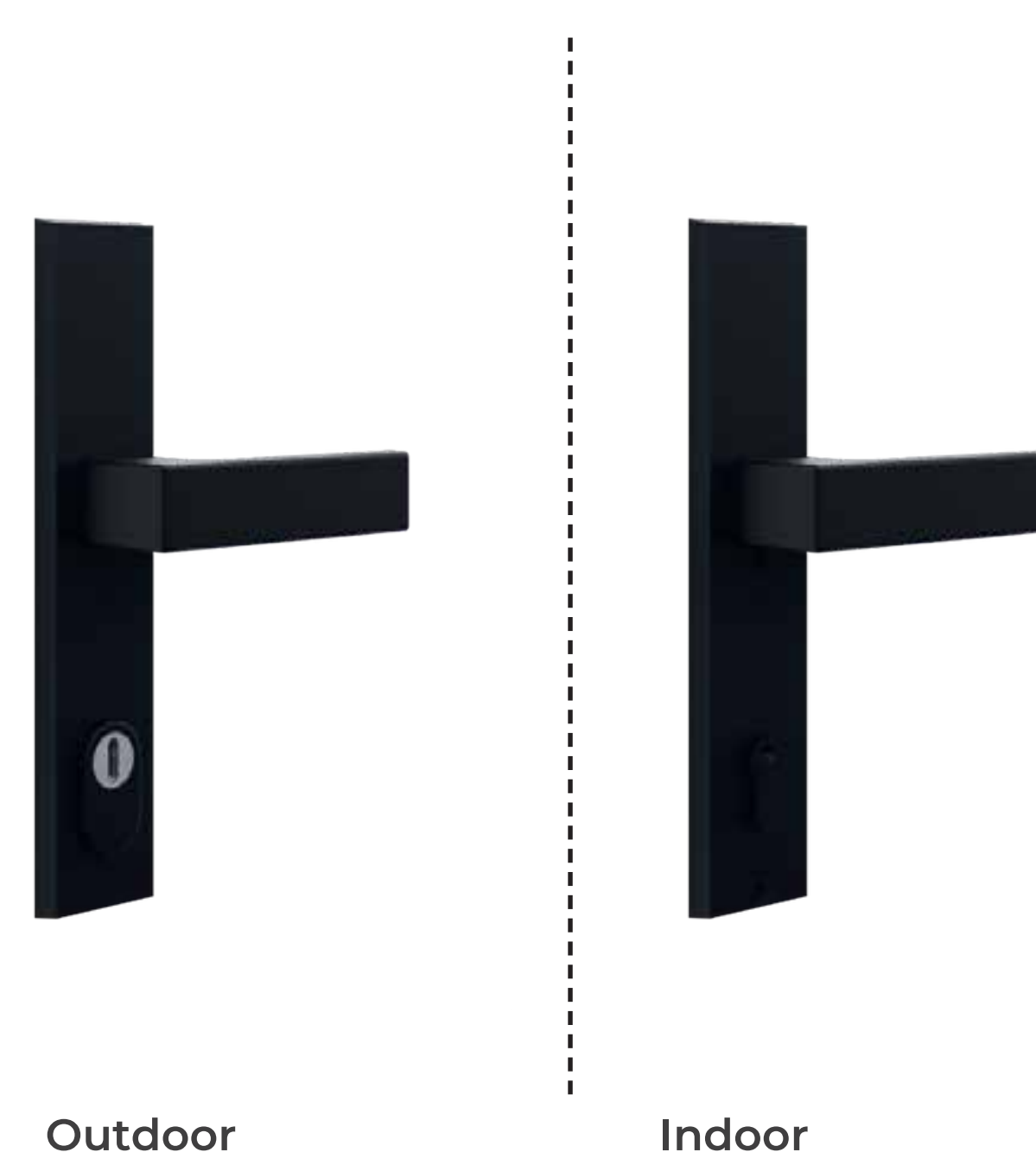
SET 01BL
160 cm round handle bar outside -
lever inside



SET 08BL
160 cm square handlebar outside - lever inside

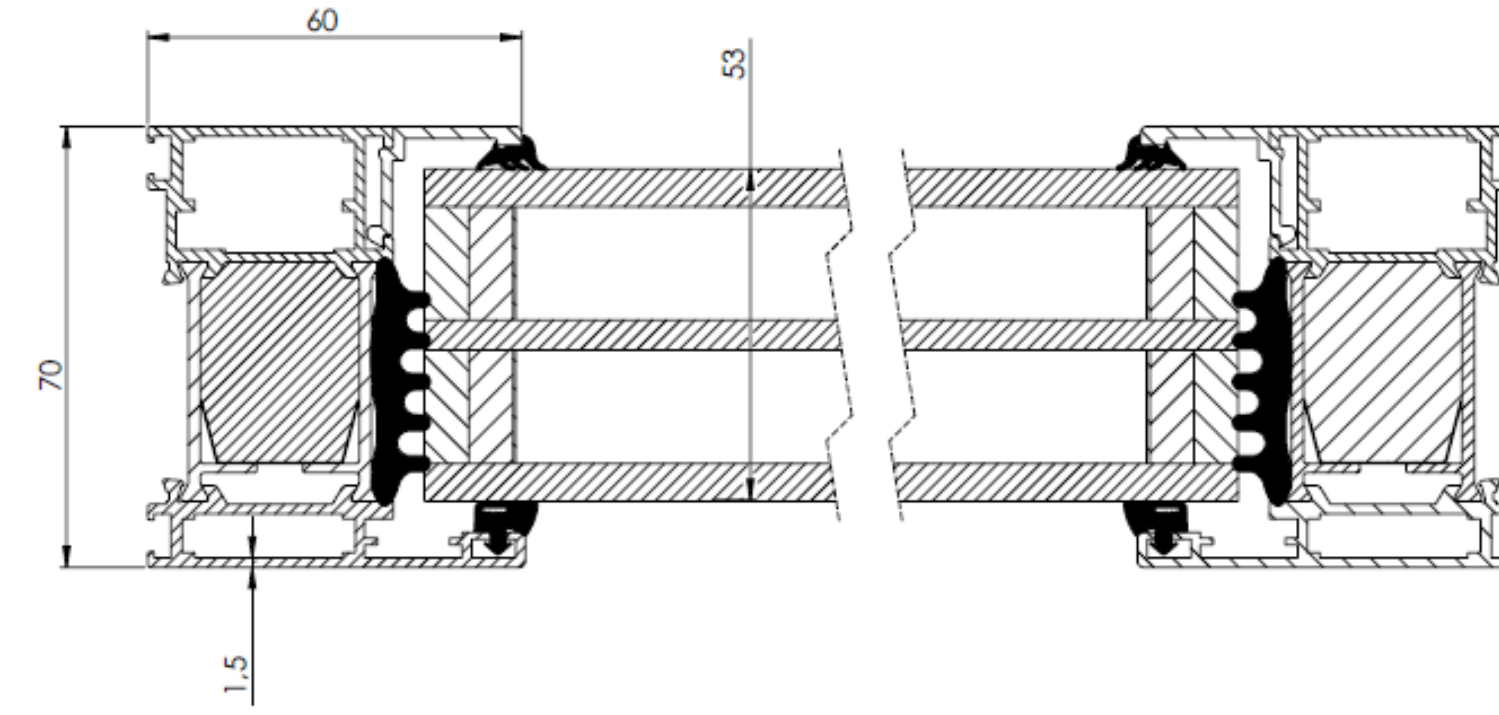


SET 02BL
Lever on both sides
Indoor



SIDELIGHTS

Apart from its decorative function, the sidelight allows for more natural light to enter, making the inside brighter.



colors: SATINE, GRAPHITE GRAY, REFLEX GRAY, CLEAR

glazing: 3 panes

safety glass: VSG on both sides

width range: 300mm- 1200mm (10mm increment)

optional: upper sidelight (only for versions w/o lateral sidelights)



LOCK

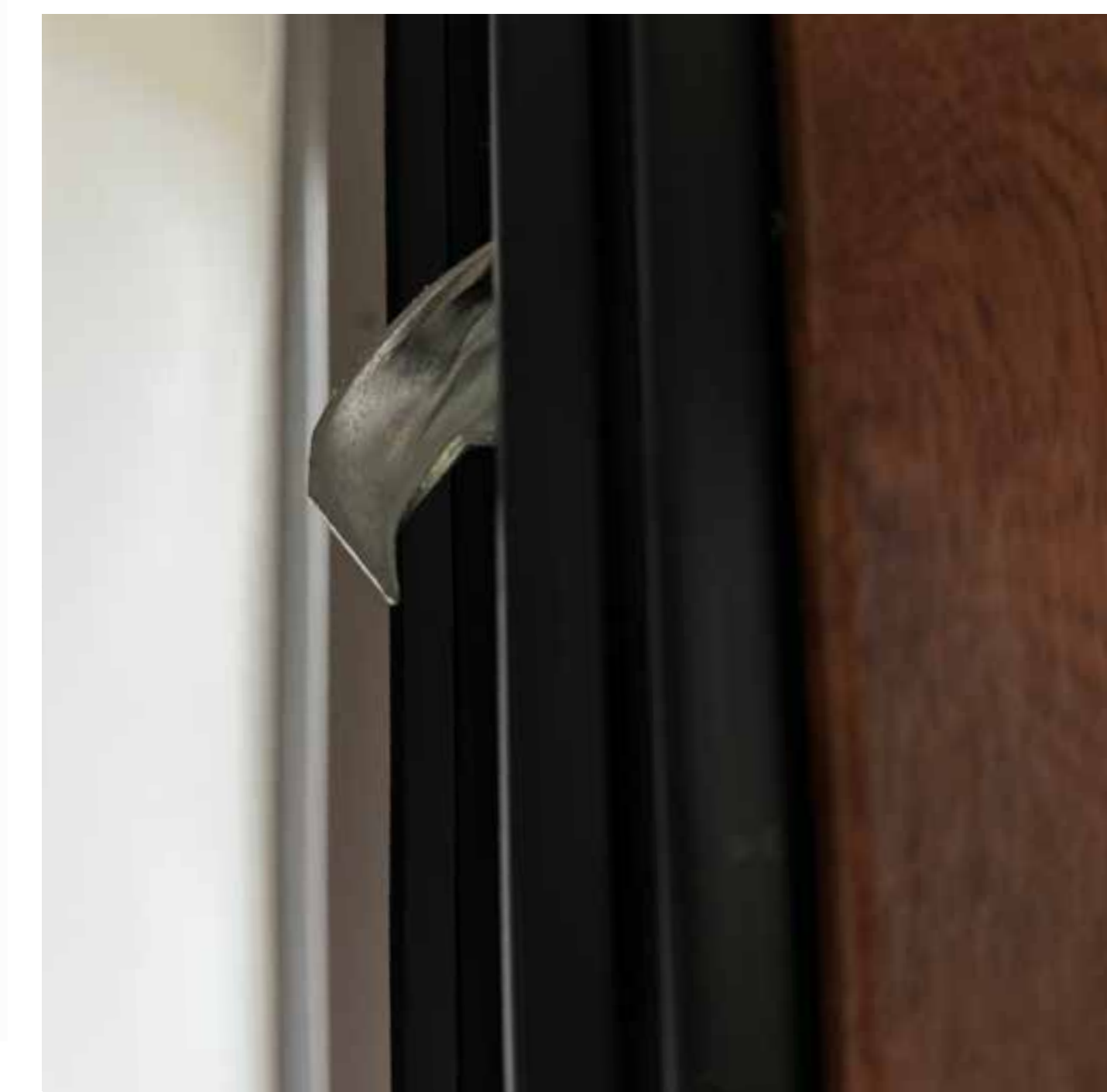
Lock: 5-point Winkhaus

Cylindrical insert with 3 keys or with 5 keys and anti-panic function

Insert length: 45/60

Backset/centre dimensions: 92/65

Optional: electric strike



HINGES



number: 3

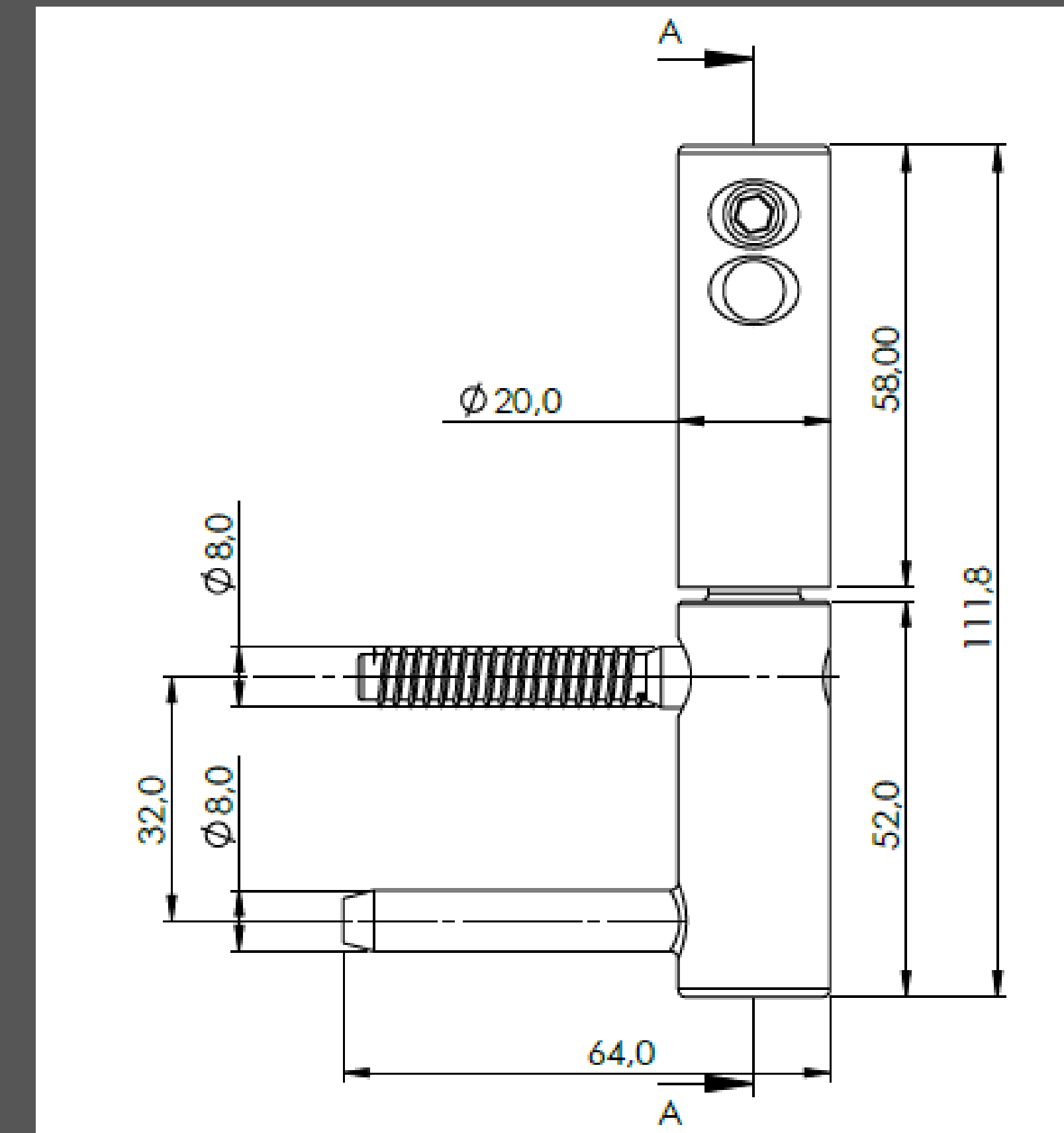
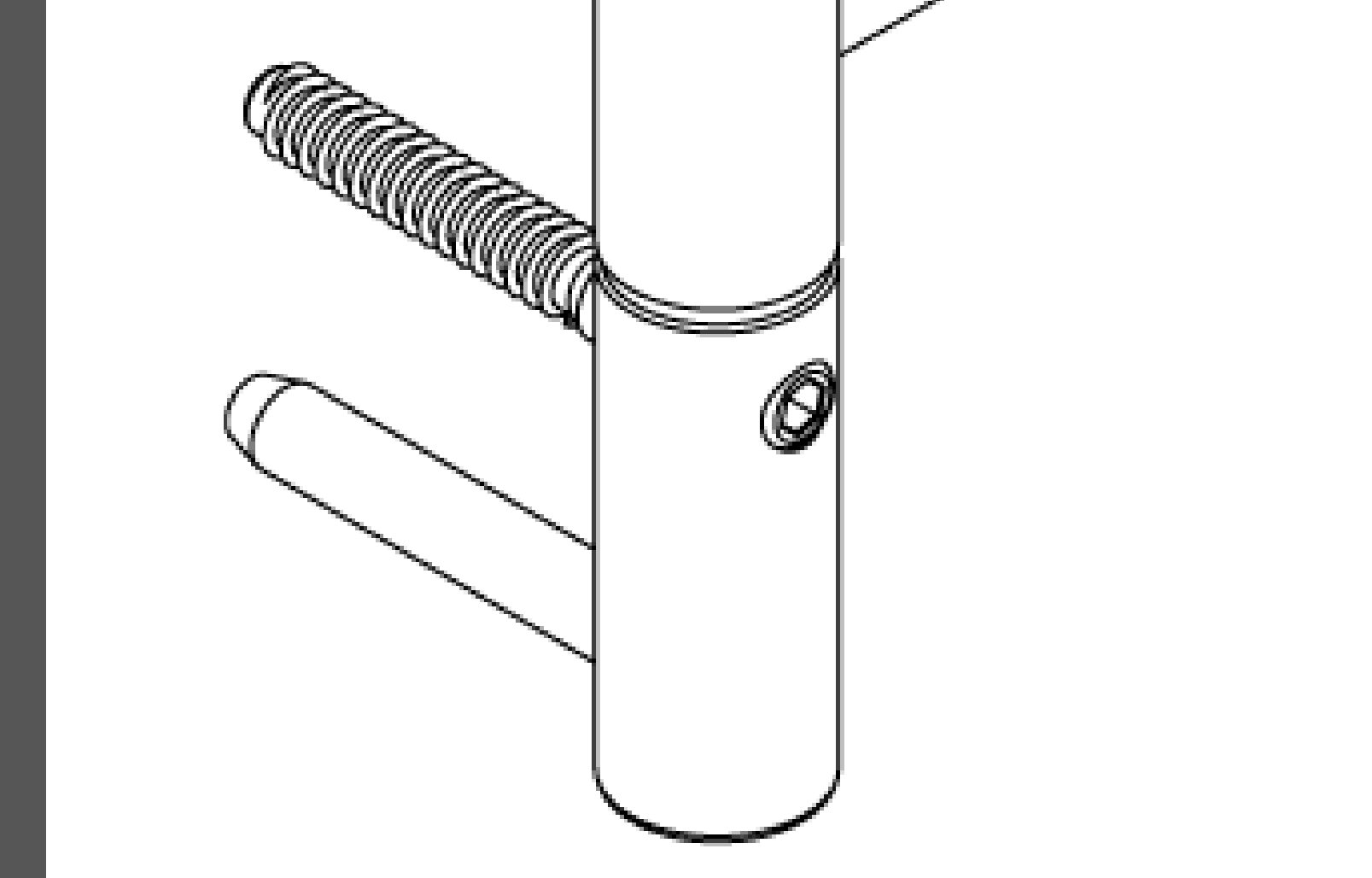
type: 2-part drill-in hinge

dimension: 20 mm diameter

hinge bolts: 6 pcs.

adjustment: 3D (pressure on the gasket, lateral and up-down)

hinge covers included

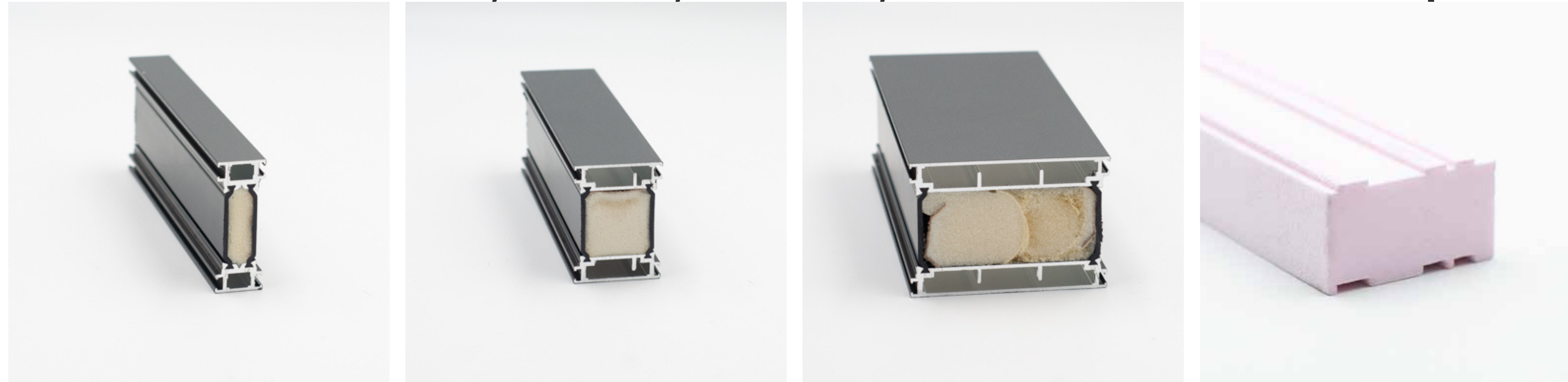


Additional options available:

kickplate for models: **00, 02, 20, 22**



Frame extension **25 mm, 50 mm, 100 mm, threshold insulation: xps**



Door viewer, letterplate; cill; electric strike; 5 key insert with anti-panic function or thumb turn

