

RAIL C40

SOLUTIONS FOR SECTIONAL
GARAGE DOORS UP TO 18m²



RAIL C40



The Mox Motion Gates series by Roger Technology is a product line dedicated to motors for the automation of sectional garage doors up to a maximum size of 18 m². The new RAIL C40 sectional garage door motor is a simple,

easy-to-install solution, thanks to a 24V DC motor, 1000N of sheer motor power and belt-driven reinforced rail capable of handling doors with heights of 2200mm to 4000mm.

1

LATERAL LED COURTESY LIGHTS

The lighting used for new Rail C40 series is both powerful and pleasant thanks to the two LED covers located on either side of the control unit. It's the ideal position for signalling that the door is in operation or providing a courtesy light when entering the garage.

2

DISPLAY WITH EXTERNAL CONTROL BUTTONS

Managing any operation – such as self-learning for the initial run, accelerating while opening or closing, strength and obstacle detection – has never been this easy thanks to an externally accessible control panel, with 4 buttons and light blue LED lighting.

3

EXTERNAL TERMINAL FOR CONNECTING THE SAFETY DEVICES

Safety devices and inputs for the new Rail C40 can be managed by means of a clamp terminal located outside the control unit, on the right. The clamp simplifies the process of working on or connecting the inputs and avoids the need to open the control unit itself.

4

STEEL RAIL

The new Rail C40 series allows for the automation of either personal or shared sectional garage doors of varying heights thanks to a range of rail, from 3 to 4 metres long, entirely made of bent reinforced steel, with a drive belt.

5

BELT DRIVEN

All the rail used with the new Rail C40 series are fitted with an internal drive belt, which replaces the traditional chain drive. The belt is made of specially reinforced rubber and polymer and is capable of moving sectional doors of up to 100 kg with extreme silence.

6

RELEASE LEVER

The practical release lever allows the user to manually release the sectional door from the inside. Thanks to the lever, manual opening of the sectional door is quick and easy, while the movement of the release shuttle automatically resets the door.



TECHNICAL SPECIFICATIONS

C40/1000

DESCRIPTION

For sectional tilt doors with a maximum force of 1000 N

SURFACE AREA	max 18 m ²
POWER	220V AC ±10% 50~60 Hz
RATED POWER	200W
FREQUENCY USE	70%
ENCODER	Analogue encoder with hall effect
OPERATING TEMPERATURE	-20°C / +50°C
DEGREE OF PROTECTION	IP40
TORQUE	1000N
MANOEUVRING SPEED IN OPENING AND CLOSING	20 cm/sec
PACKAGED PRODUCT WEIGHT	6,65 kg
NUMBER OF PARCELS PER PALLET	36

PACKAGING



L.: 25 cm
W.: 45 cm
H.: 18 cm

NUMBER OF PARCELS PER PALLET: 36

AVAILABLE RAIL

CODE	DESCRIPTION
C40/G3300M	Press-folded carbon steel track with on-board motor attachment, length 3300 mm with 6-wire reinforced belt already installed on board
C40/G3300M/HR	Press-folded carbon steel track with on-board motor attachment, length 3300 mm with 6-wire reinforced belt (2 pieces)
C40/G4000M	Press-folded carbon steel track with on-board motor attachment, length 4000 mm with 6-wire reinforced belt already installed on board
C40/G5000M	Press-folded carbon steel track with on-board motor attachment, length 5000 mm with 6-wire reinforced belt already installed on board

PRODUCTS SET CODE

CODE	DESCRIPTION
SET C40/3301	Motor SET 24V DC 1000N for sectional garage doors, with 3300 mm rail transmission belt, with integrated fix code 433,92 Mhz Radio Receiver and two 2-channels remotes E80/TX52R/2
SET C40/3301/HR	Motor SET 24V DC 1000N for sectional garage doors, with 2 separated 1650 mm rails transmission belts, with integrated fix code 433,92 Mhz Radio Receiver and two 2-channels remotes E80/TX52R/2
SET C40/4001	Motor SET 24V DC 1000N for sectional garage doors, with 4000 mm rail transmission belt, with integrated fix code 433,92 Mhz Radio Receiver and two 2-channels remotes E80/TX52R/2
SET C40/5001	Motor SET 24V DC 1000N for sectional garage doors, with 5000 mm rail transmission belt, with integrated fix code 433,92 Mhz Radio Receiver and two 2-channels remotes E80/TX52R/2

OPTIONAL OPTIONAL



RL654

Kit for release from outside without handle.

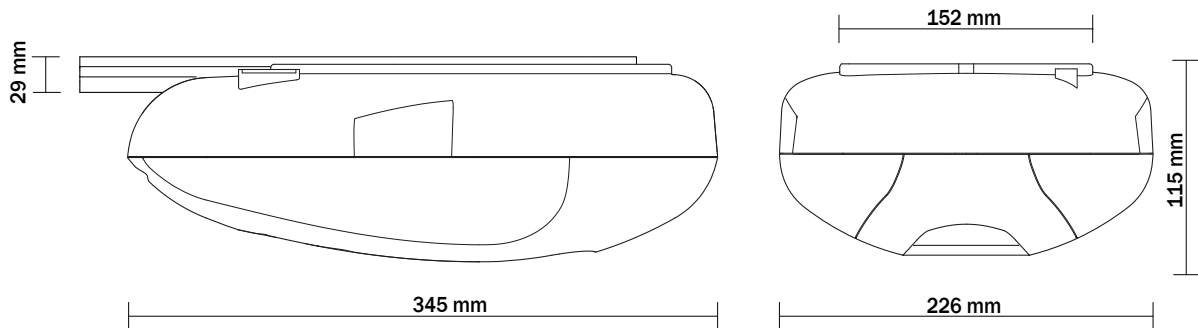


RL655

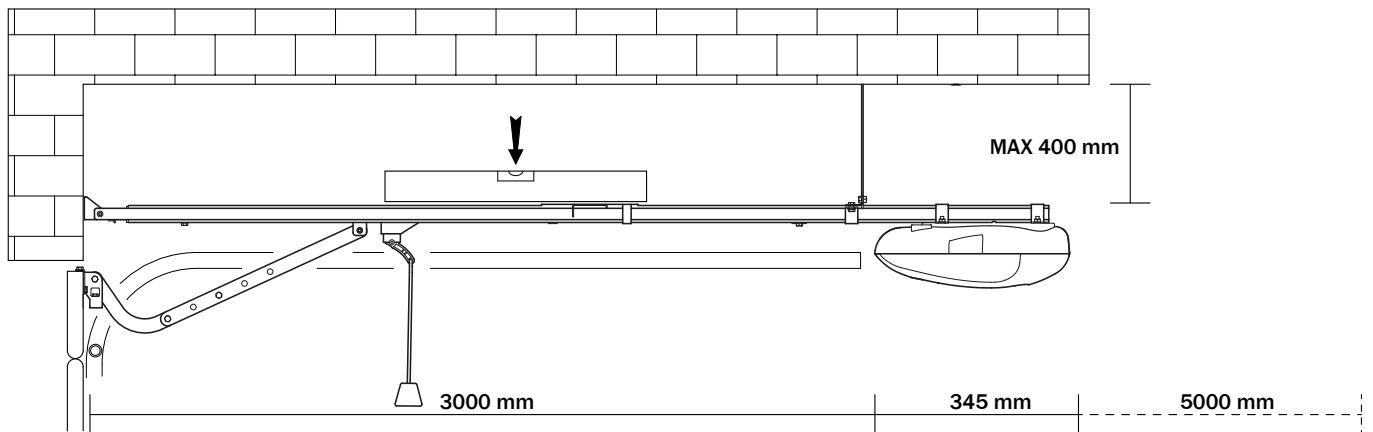
Kit for release from outside with handle.

INSTALLATION

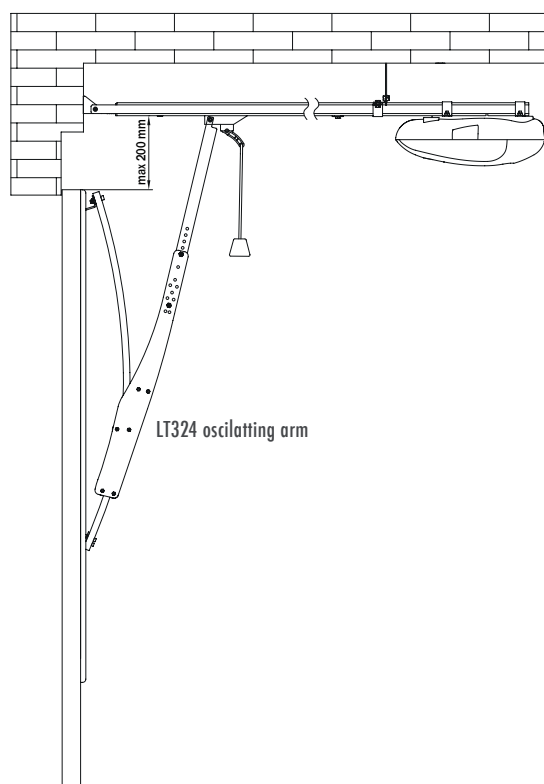
DIMENSIONS



PREPARATIONS FOR INSTALLATION ON SECTIONAL DOORS



PREPARATIONS FOR STANDARD INSTALLATION ON OVERHEAD DOORS





SECTIONAL DOOR





PREMIUM DEALER / PROFESSIONAL DEALER



a products brand of ROGER TECHNOLOGY S.R.L.

Via S. Botticelli, 8 - 31021, Bonisiolo di Mogliano Veneto (TV) - ITALY

T. +39 041 5937023 - F. +39 041 5937024