

# TÜRENWERKE

BASIC LINE



STEEL-ALUMINIUM  
DOORS

# ATU68

# USAGE

Doors widely used in single-family homes. The series is available in various sizes and six models.

Each of them is available in 4 color versions and blackline.

01

ANTHRACITE

03

WALNUT

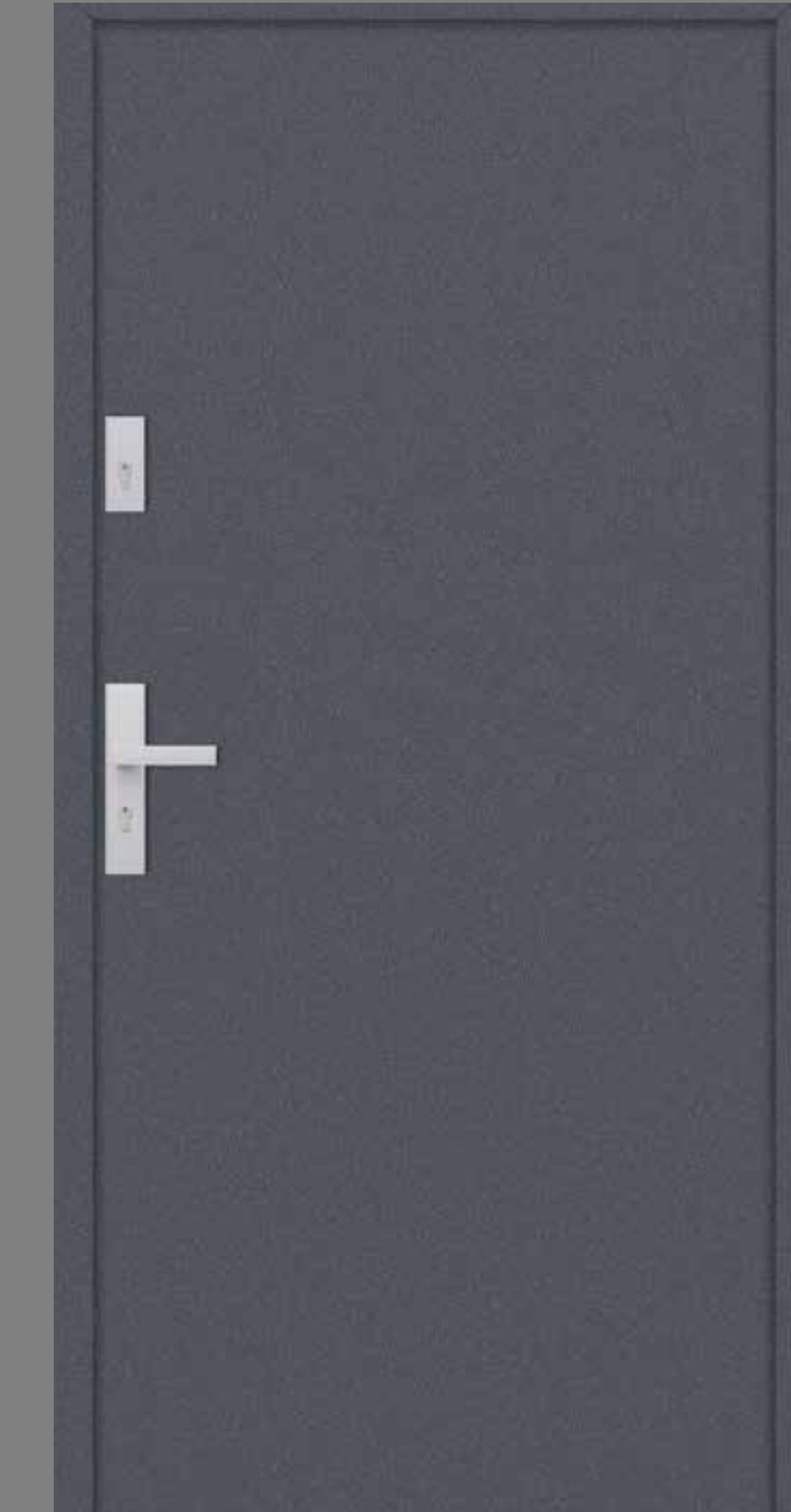
02

WHITE

03

GOLDEN OAK

ANTHRACITE



WHITE



WALNUT



GOLDEN OAK

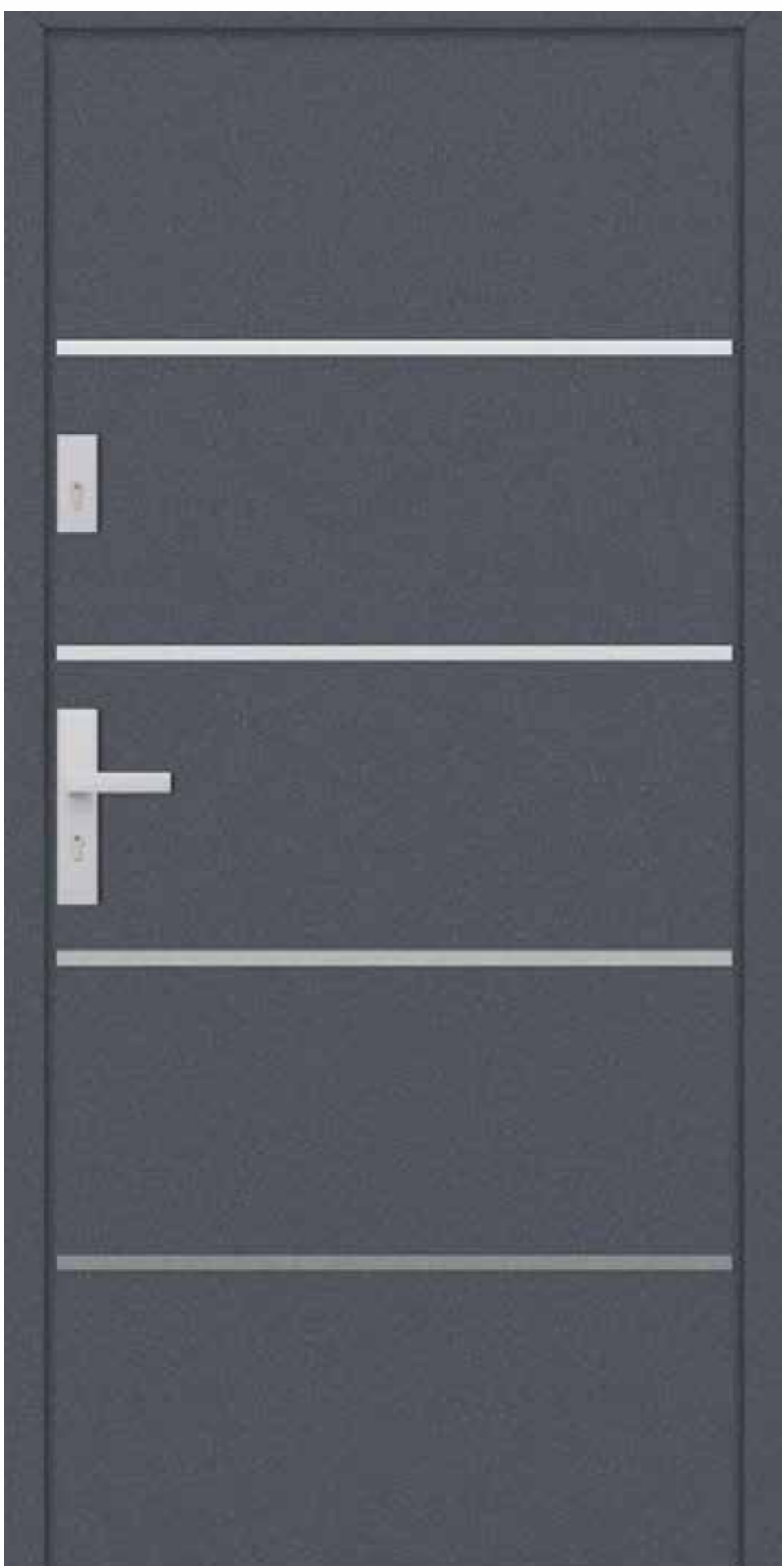


# MODELS

MODEL 501



MODEL 502



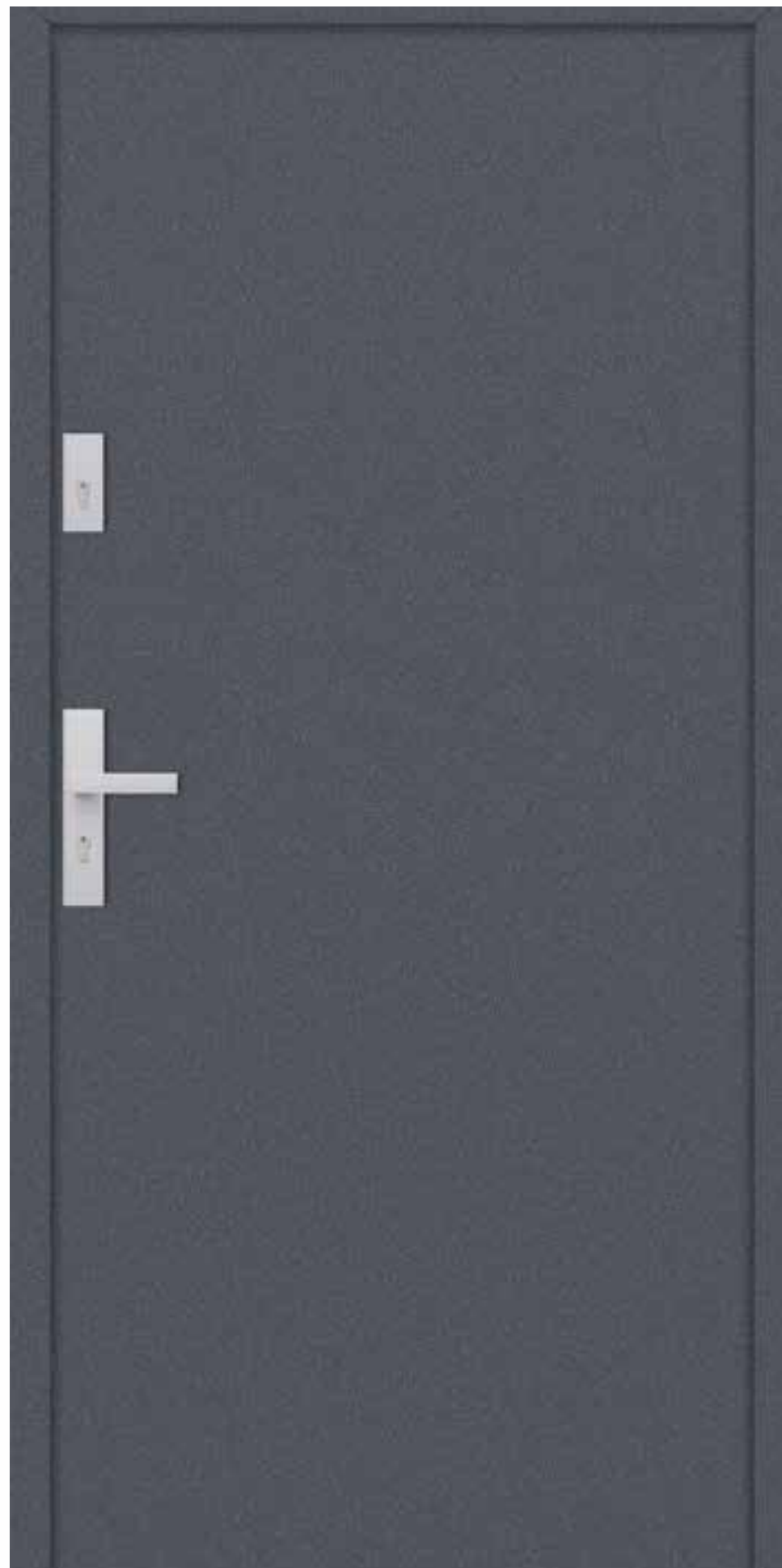
MODEL 504



MODEL 505



MODEL 507



MODEL 514



# MODELS

MODEL 501



MODEL 502



MODEL 504



MODEL 505



MODEL 507



MODEL 514



# MODELS

MODEL 501



MODEL 502



MODEL 504



MODEL 505



MODEL 507



MODEL 514



# MODELS

MODEL 501



MODEL 502



MODEL 504



MODEL 505



MODEL 507



MODEL 514



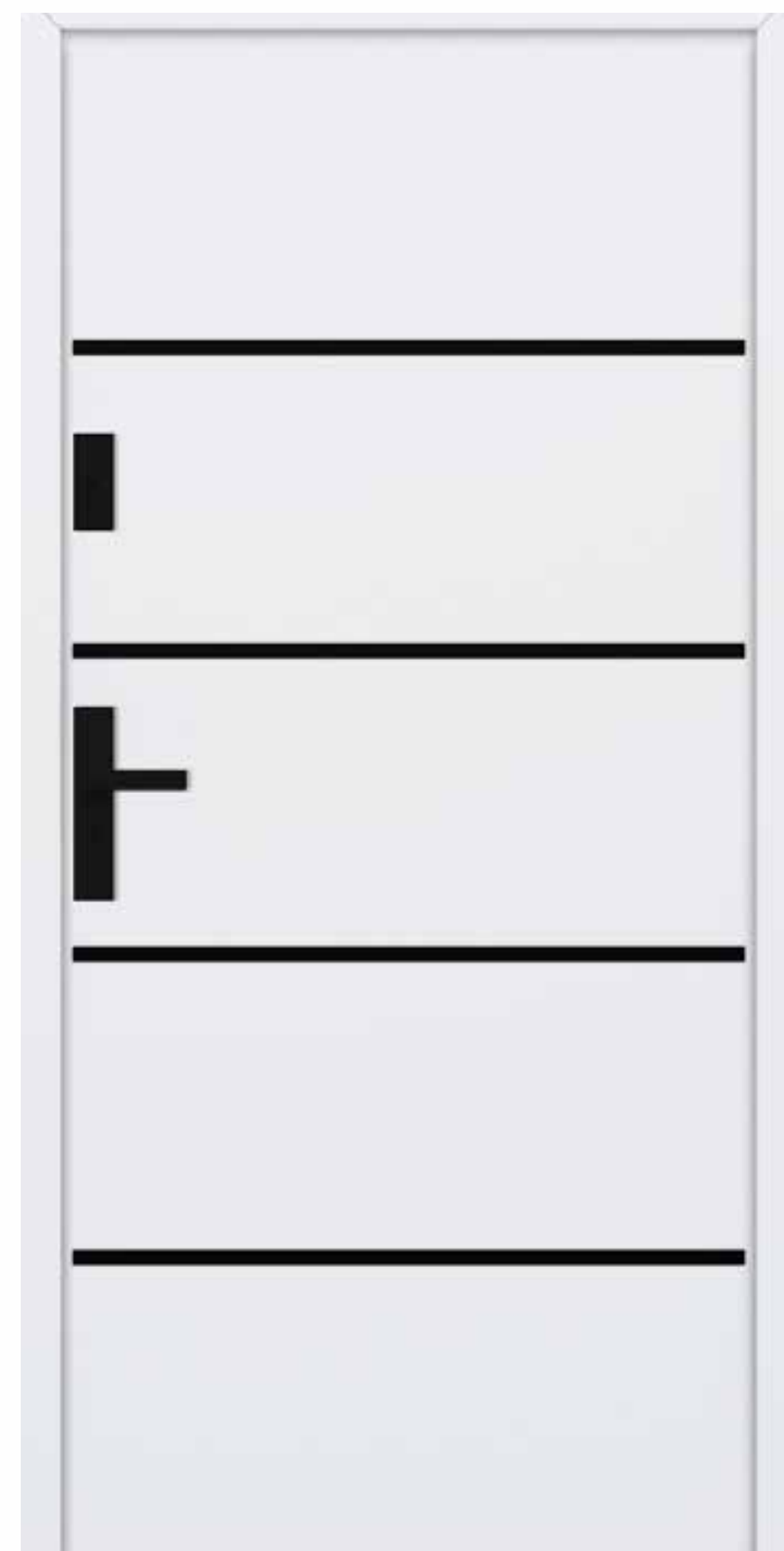
# BLACKLINE

## MODEL OVERVIEW

MODEL 521



MODEL 522



MODEL 524



MODEL 525



MODEL 527



MODEL 534



# GLAZING

---

**Glazing available for models:** 501, 504, 505, 514, 521, 524, 525 oraz 534

**Glazing:** 3 panes

**Safety glass:** ESG, warm edge spacers

**Glass colors:** SATINE, GRAPHITE GRAY, REFLEX GRAY



**SATINE**



**GRAPHITE GRAY**

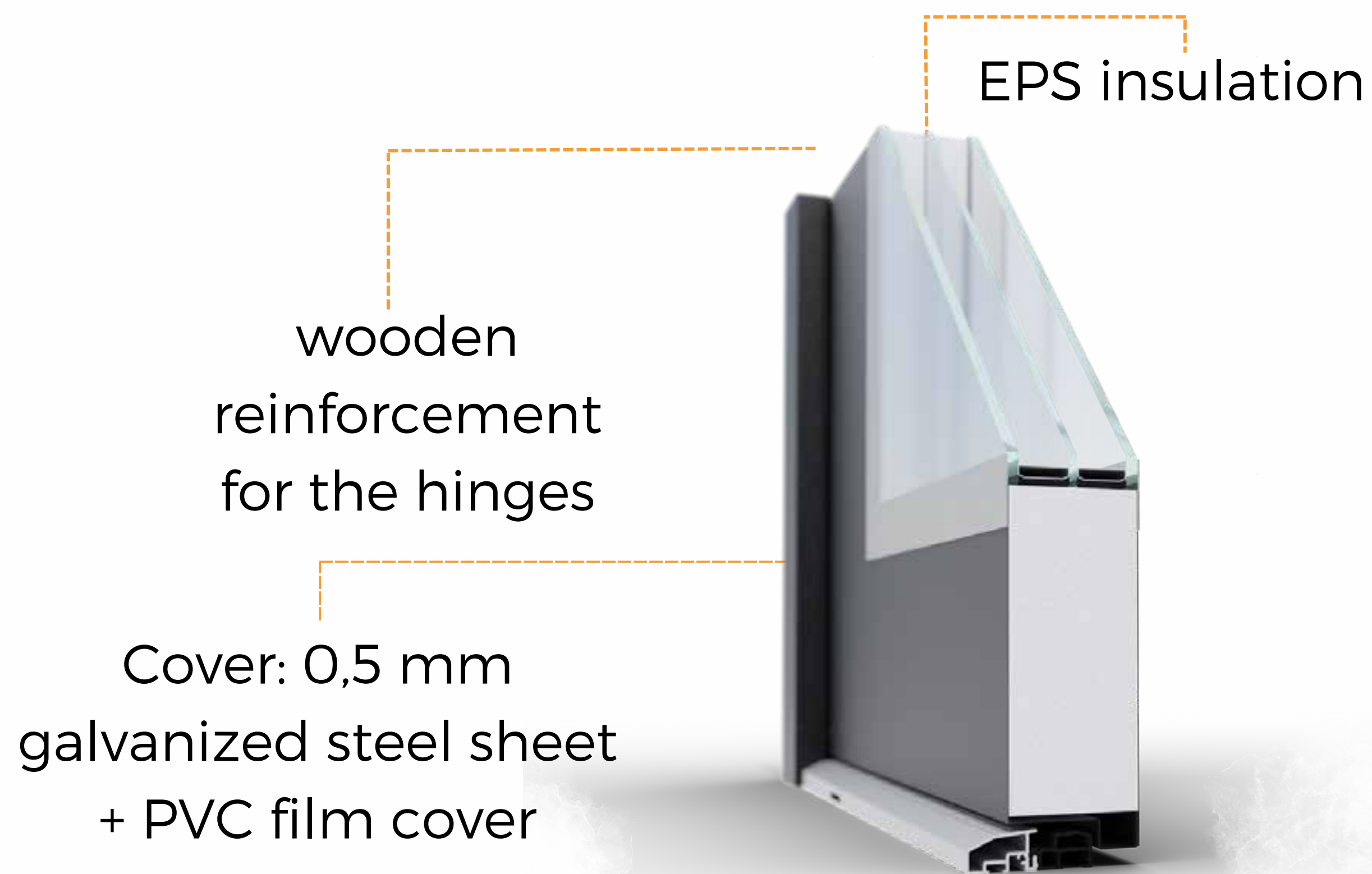


**REFLEX GRAY**



ATU68

# CROSS SECTION



2-piece 64 mm aluminium + ABS threshold



hinge bolts - 3 pcs.

70 mm symmetric aluminium frame average wall thickness cca. 1,5 mm

68 mm thick door leaf



2D hinges - 3 pcs.

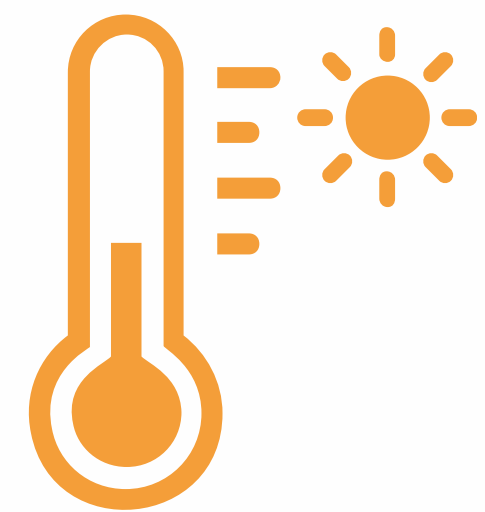


mortise lock with three bolts



mortise lock with three bolts

# TECHNICAL INFORMATION



Heat transfer coefficient

FULL PANEL DOOR

**Ud= 1,1 W/m<sup>2</sup>K**

DOOR WITH GLAZING

**Ud= 1,2 W/m<sup>2</sup>K**

## ATU 68

Declared performance of the product intended for building purposes

Essential characteristics	Performance	Harmonized standard
Resistance to wind loads	Klasa C2	PN-EN 14351-1+A2:2016-10
Waterproofness	NPD Otwierane do wewnątrz  Klasa 3A Otwierane na zewnątrz	
Air permeability	Klasa 4	
Heat transfer coefficient	Ud= 1,1 W/m <sup>2</sup> K Drzwi pełne  Ud= 1,3 W/m <sup>2</sup> K Drzwi przeszklone	
Heat transfer coefficient for the reference dimension (1230 mm x 2180 mm)	Ud= 1,1 W/m <sup>2</sup> K Drzwi pełne  Ud= 1,2 W/m <sup>2</sup> K Drzwi przeszklone	
Solar radiation characteristics Solar radiation factor (g)	NPD	
Dangerous substances	None	
Impact resistance	Class 1	

T68 4P AT technical documentation



Resistance to wind loads

**CLASS C2**



Waterproofness

OUTWARD OPENING DOOR

**CLASS 3A**

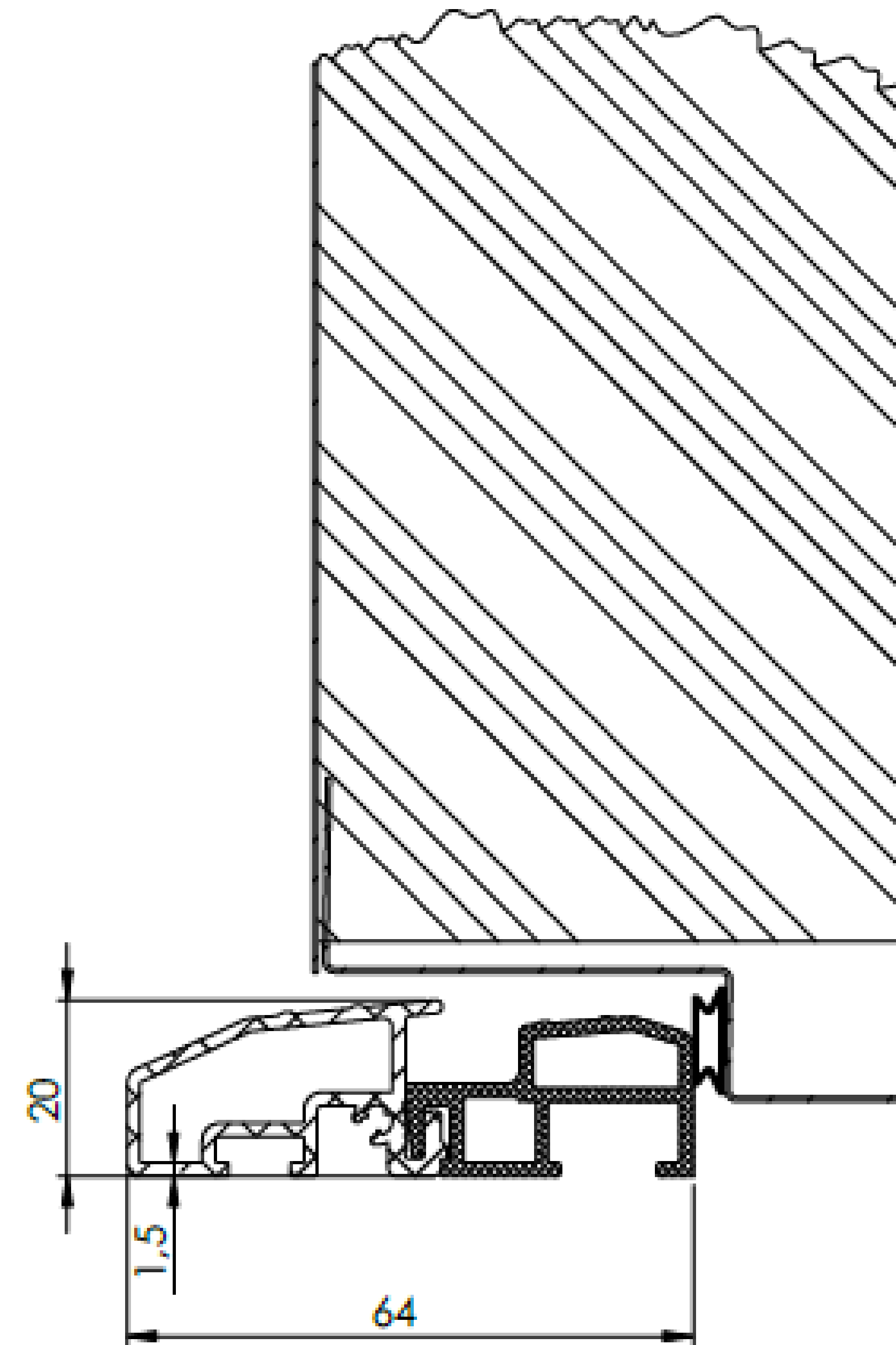
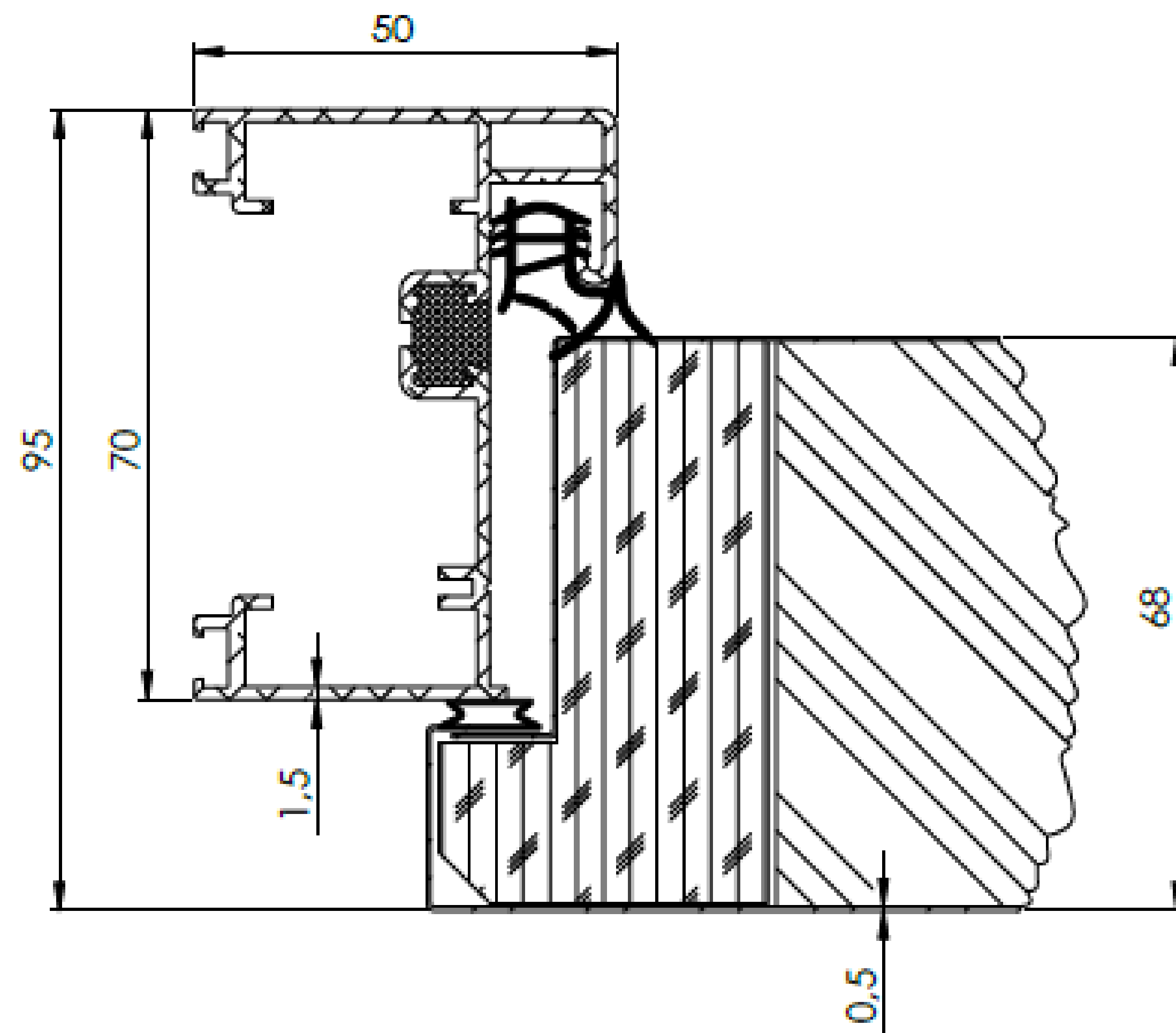


Air permeability

**CLASS 4**

# TECHNICAL INFORMATION

**ATU68**



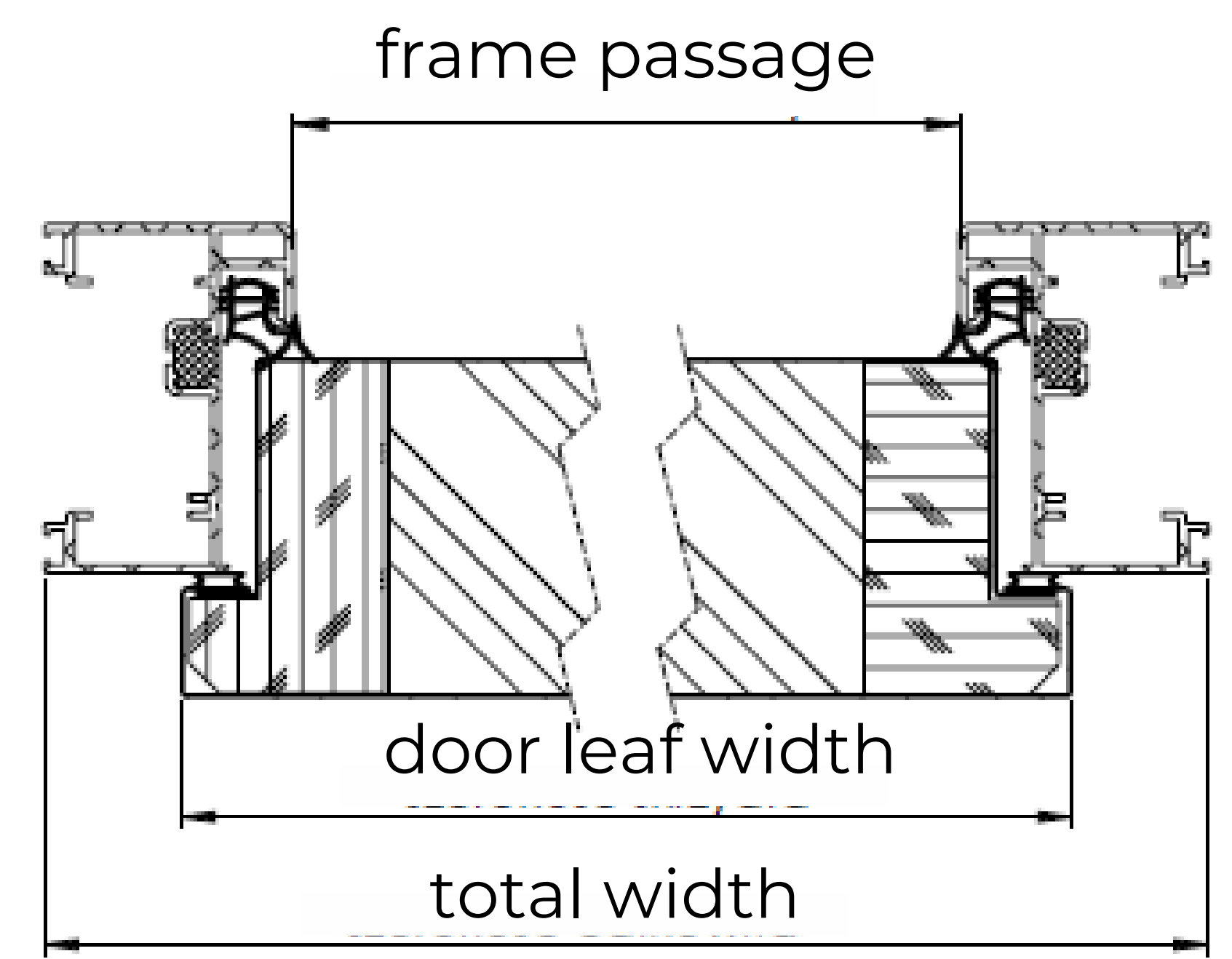
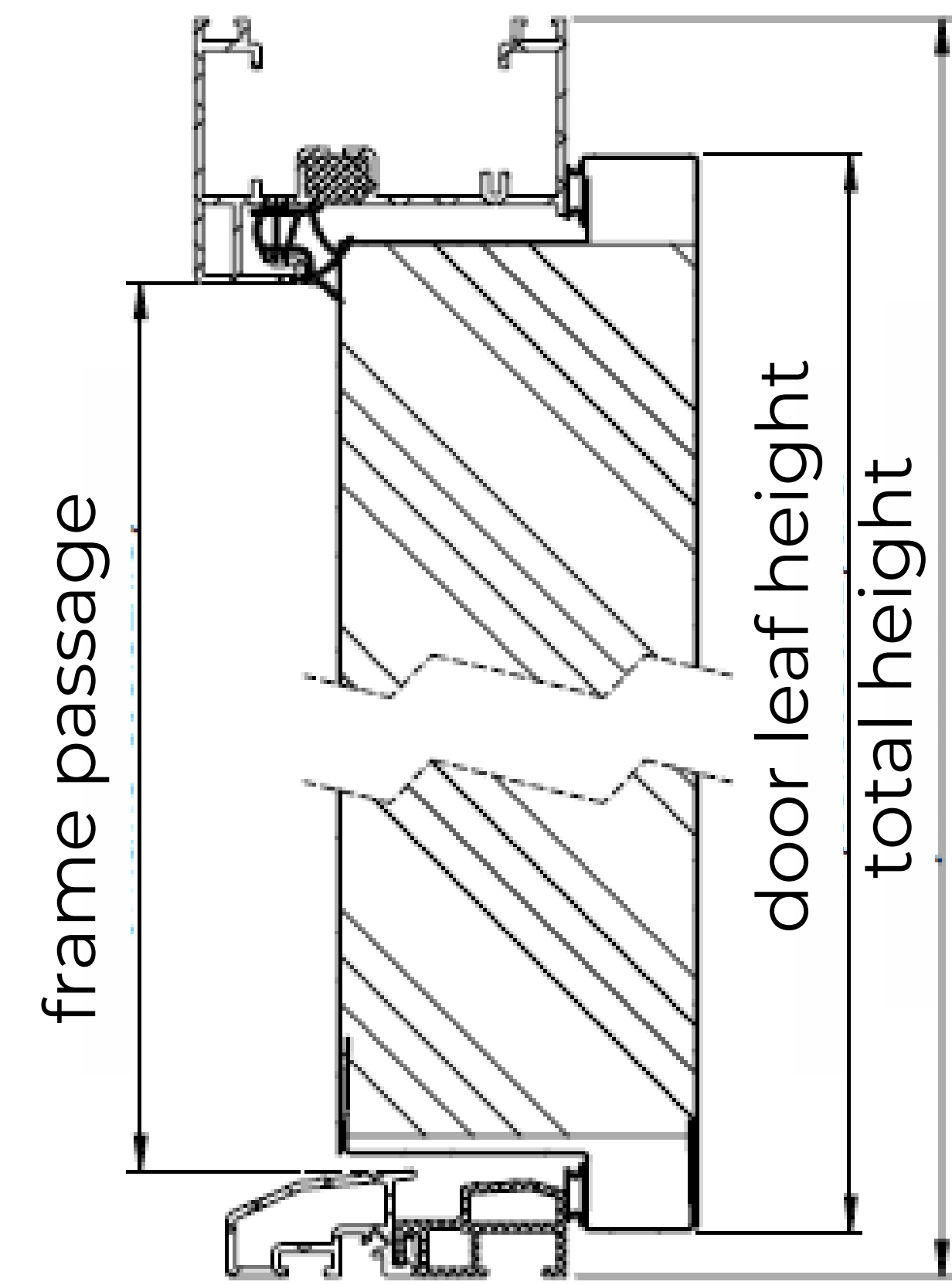
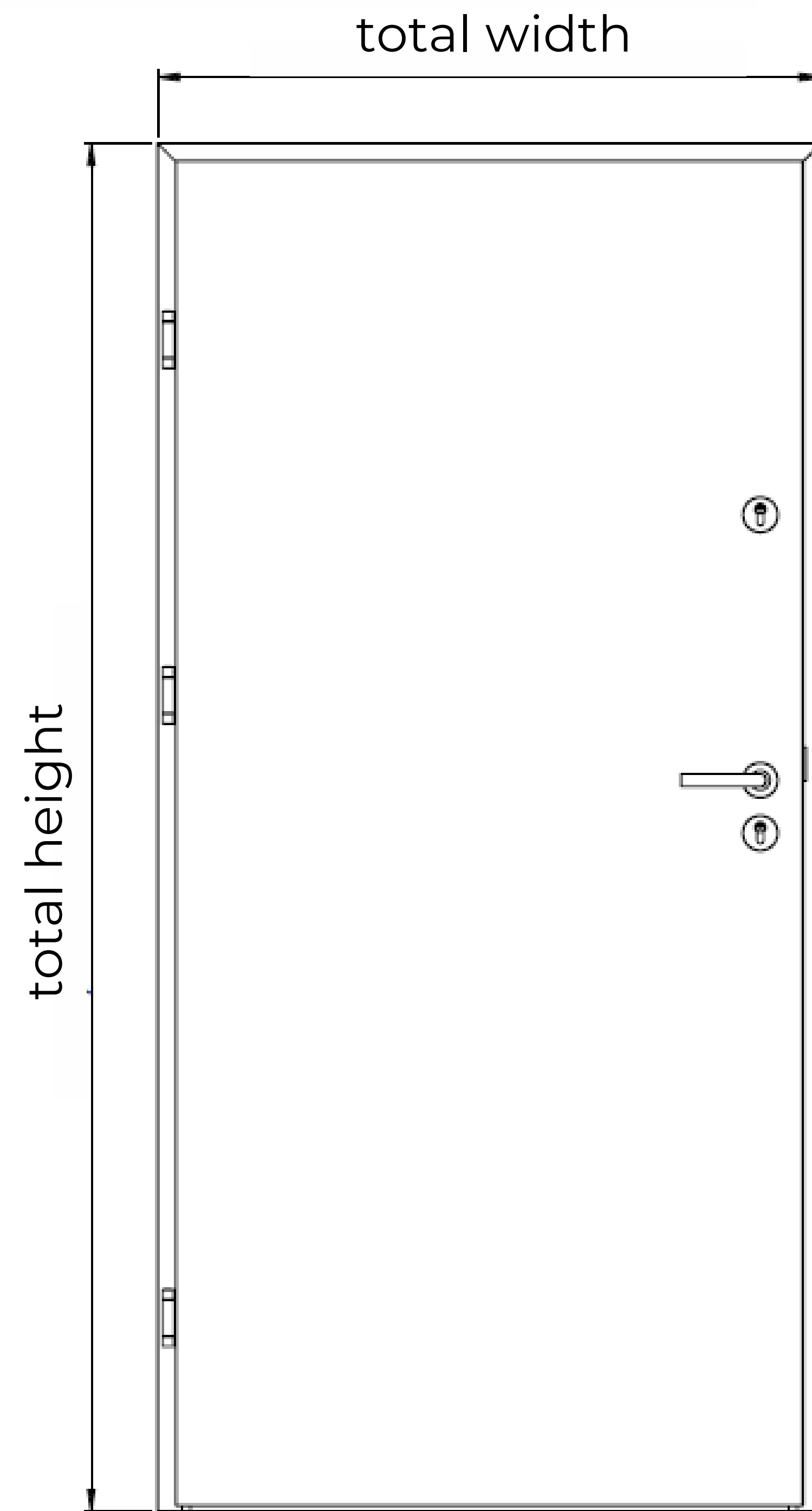
# DIMENSIONS

## ATU68

- 900mm x 2000mm
- 900mm x 2070 mm
- 980mm x 2080mm
- 1000mm x 2000mm
- 1000mm x 2070mm
- 1100mm x 2070mm

total height	total width	door leaf height	door leaf width	frame passage
2000	900	1965	850	800x1930
2070	900	2035	850	800x2000
2080	980	2045	930	880x2010
2000	1000	1965	950	900x1930
2070	1000	2035	950	900x2000
2070	1100	2035	1050	1000x2000

Product dimensional tolerance +/- 2 mm



# FITTINGS

# LOCK

## SET 2:

Lever on both sides

Lever: with a stainless steel long backplate



## SET 3:

Knob outside, lever inside

Knob: with a stainless steel long backplate



## SET 2BL:

Lever on both sides

Lever: black with a long backplate



## SET 3BL:

Knob outside, lever inside

Lever: black with a long backplate



**Lock:** Mortise lock with three bolts

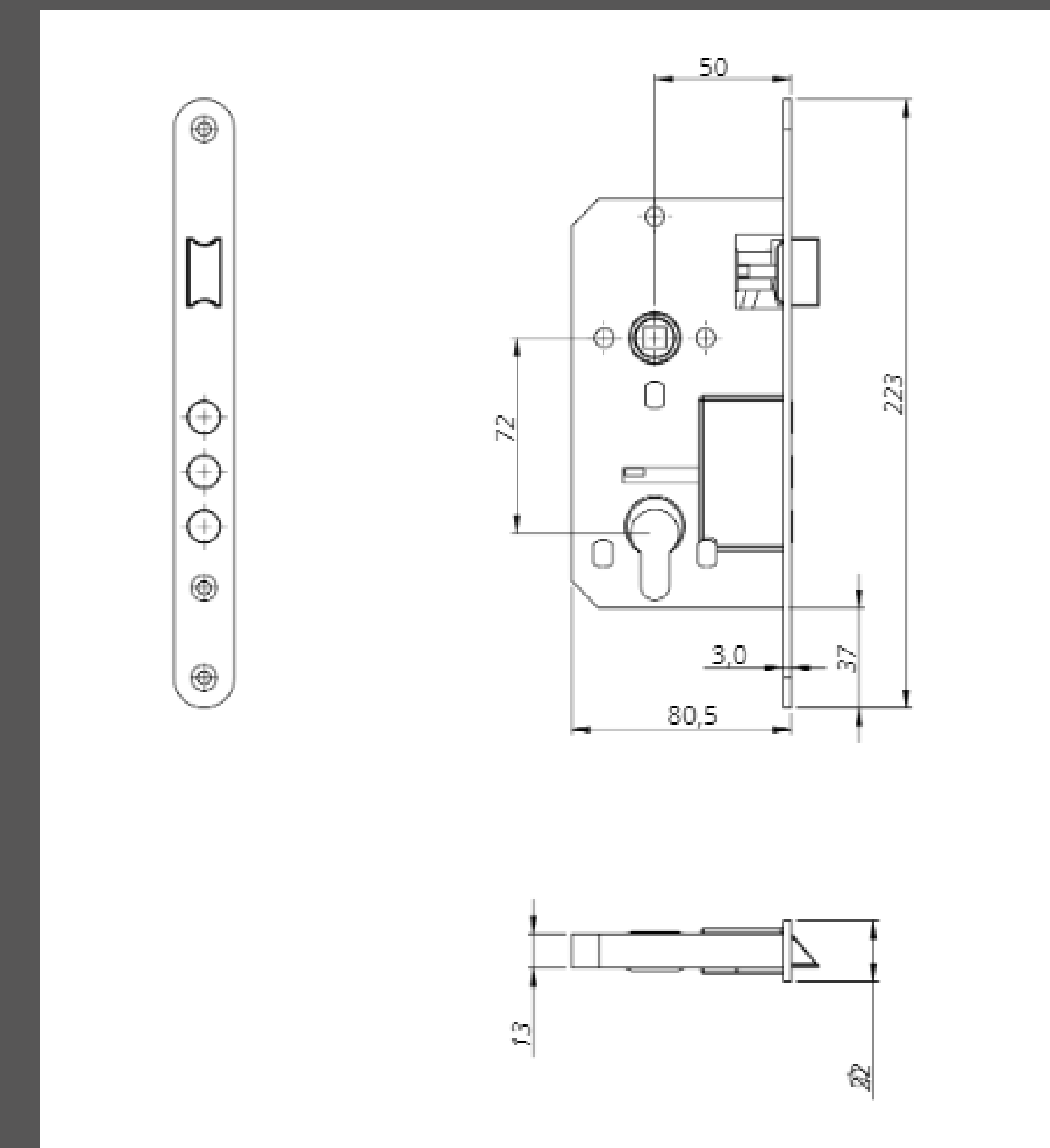
**Number:** 2 locks

**Insert:** cylindrical with 3 keys

**Insert length:** 45/55 mm

**Backset/centre dimensions:** 72/50 mm

**Rosette** with antiburglar protection available for an extra charge



# HINGES



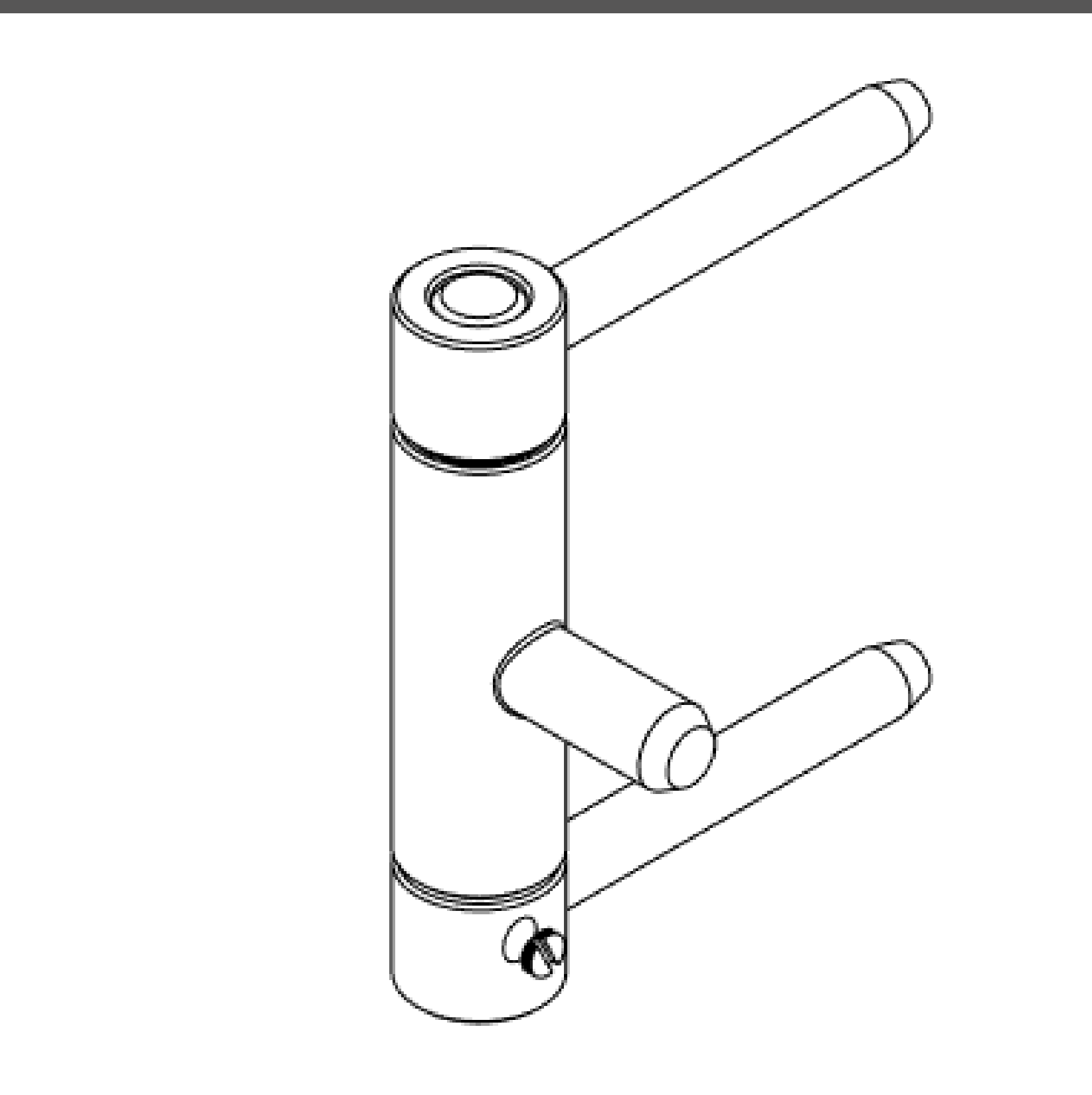
number: 3

type: 3-part drill-in hinge

dimension: 18 mm diameter

hinge bolts: 3 pcs.

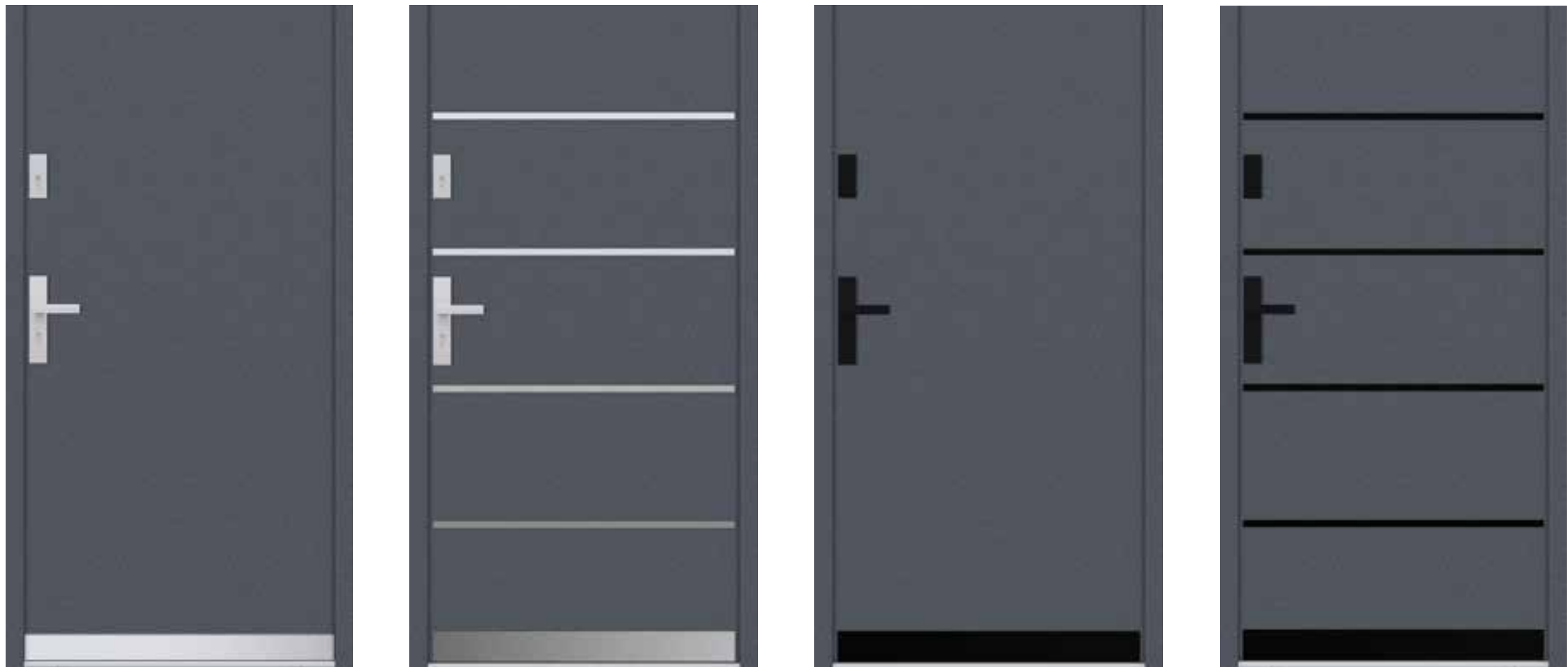
adjustment: 2D (pressure on the gasket and lateral)



protection against hinge pin removal

**Additional options available:**

kickplate for models: 02, 07, 22, 27



frame extension 25 mm, 50 mm, 100 mm



threshold insulation: xps; letterplate; cill; door viewer; electric strike; insert with thumb turn

